

LIFTERS

SPECIALTY LIFTERS (GENERAL INFORMATION)

SPECIALTY LIFTERS (END EFFECTORS)

National Industrial Supply, NIS, has engineering and AutoCAD capabilities, which allow for design and back engineering of specialty lifting devices. NIS has the ability to run engineering calculations and perform nondestructive and destructive testing to establish a safe working load limit. Additionally, NIS can build, load test and Magnetic Particle Test specialty lifting devices, which will ensure that the part is built to spec., certified to governing body standards, and analyzed at weldmets. All NIS products meet or exceed applicable OSHA and or ASME Standards.

C-HOOK

The C-Hook offers a longer upper arm allowing for a smaller counter weight and a more economical product. The counter weight keeps the C-Hook level when no load is attached, this makes loading the coils easier and more efficient. All C-Hooks meet ANSI/ASME B30.20-1993 standards. All C-Hooks are tested and safe working load limits are clearly marked on each hook, do not exceed the working load limit.

SHORT STACK C-HOOK

The Short Stack C-Hook offers a more versatile configuration which allows coils to be stacked flush up against a vertical surface. This feature can provide substantial savings in floor space. The Short Stack C-Hook also has a counterweight that keeps the hook level when no load is attached, making loading coils easier and more efficient. All Short Stack C-Hooks meet ANSI/ASME B30.20-1993 standards. All Short Stack C-Hooks are tested and safe working load limits are clearly marked on each hook, do not exceed the working load limit.

STANDARD SPREADER BEAM

Standard Spreader Beams are an ideal, versatile way of transporting loads. The beam stabilizes the load end to end and in most cases side to side. The beams are constructed of channels with internal reinforcements to prevent buckling and resist out of plane loading. All Standard Spreader Beams meet ANSI/ASME B30.20-1993 standards. All Standard Spreader Beams are tested and safe working load limits are clearly marked on each beam, do not exceed the working load limit.

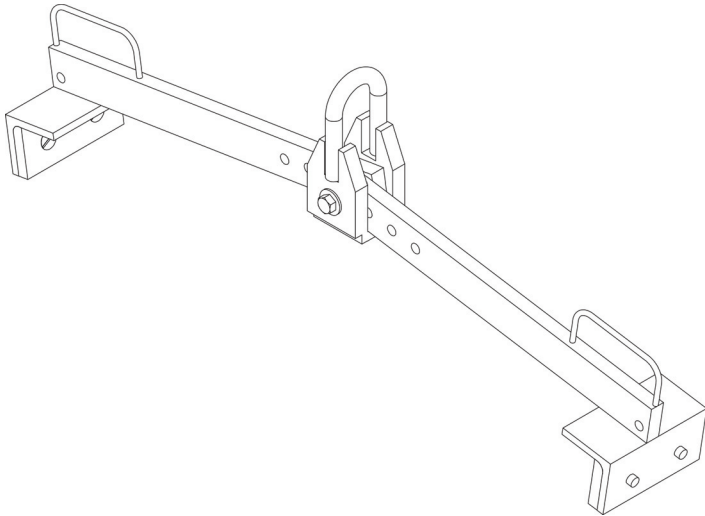
ADJUSTABLE SPREADER BEAM

Adjustable Spreader Beams are an ideal, versatile way of transporting loads. The beam stabilizes the load end to end and in most cases side to side. The adjustable hooks allow any load to be easily balanced. The beams are constructed of channels with internal reinforcements to prevent buckling and resist out of plane loading. All Adjustable Spreader Beams meet ANSI/ASME B30.20-1993 standards. All Adjustable Spreader Beams are tested and safe working load limits are clearly marked on each beam, do not exceed the working load limit.

LIFTERS

SPECIALTY LIFTERS (END EFFECTORS)

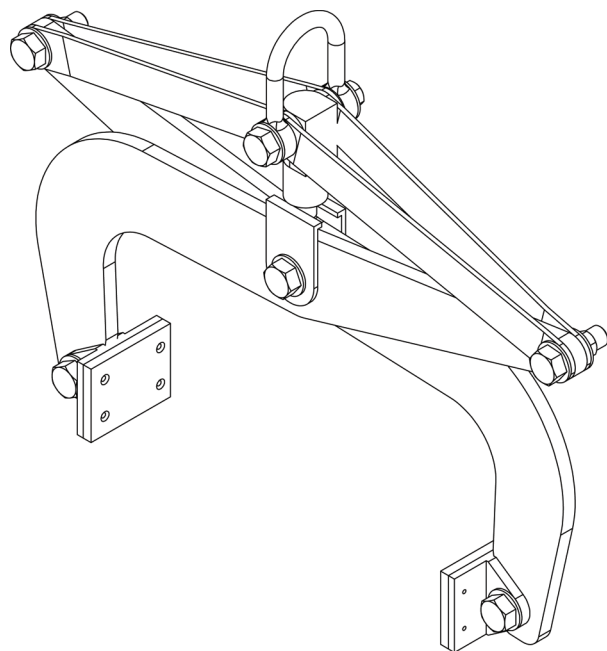
FLAPPER TONG



National Industrial Supply, NIS, has engineering and AutoCAD capabilities, which allow for design and back engineering of specialty lifting devices. NIS has the ability to run engineering calculations and perform nondestructive and destructive testing to establish a safe working load limit. Additionally, NIS can build, load test and Magnetic Particle Test specialty lifting devices, which will ensure that the part is built to spec., certified to governing body standards, and analyzed at weldmets. All NIS products meet or exceed applicable OSHA and or ASME Standards.

PREASSURE TONG

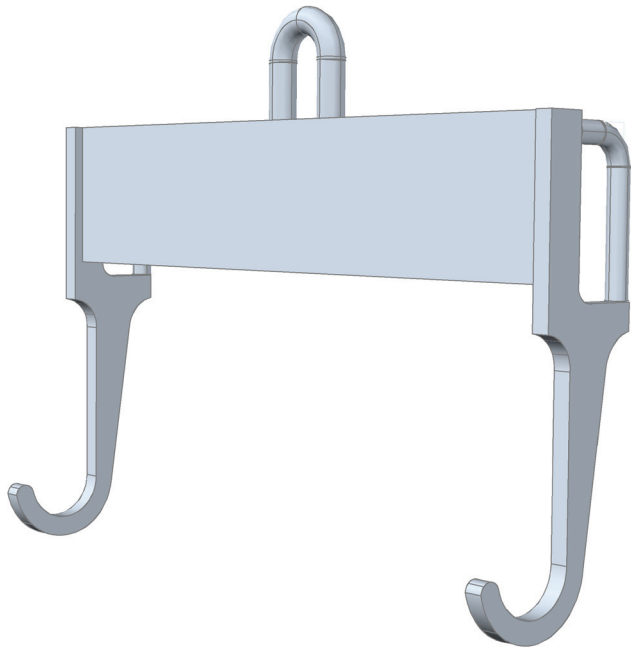
National Industrial Supply, NIS, has engineering and AutoCAD capabilities, which allow for design and back engineering of specialty lifting devices. NIS has the ability to run engineering calculations and perform nondestructive and destructive testing to establish a safe working load limit. Additionally, NIS can build, load test and Magnetic Particle Test specialty lifting devices, which will ensure that the part is built to spec., certified to governing body standards, and analyzed at weldmets. All NIS products meet or exceed applicable OSHA and or ASME Standards.



LIFTERS

SPECIALTY LIFTERS (END EFFECTORS)

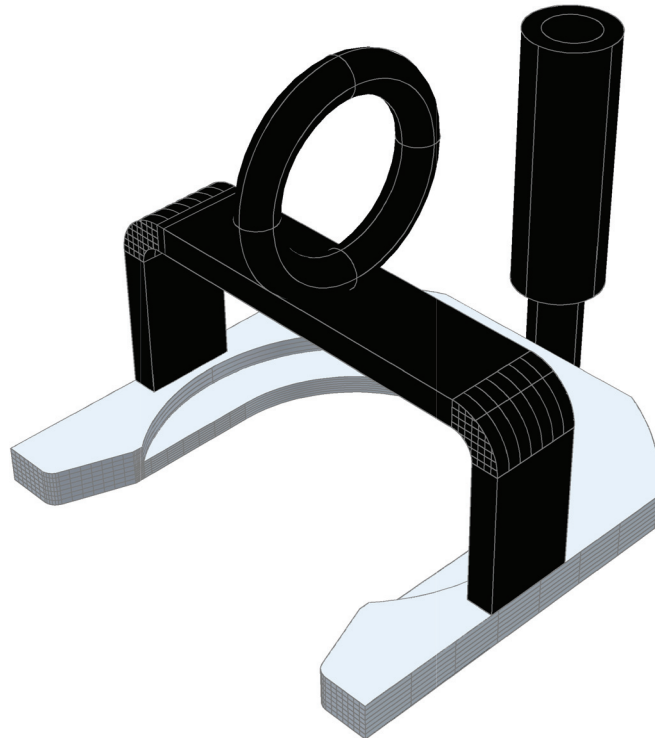
AXEL LIFTER



National Industrial Supply, NIS, has engineering and AutoCAD capabilities, which allow for design and back engineering of specialty lifting devices. NIS has the ability to run engineering calculations and perform nondestructive and destructive testing to establish a safe working load limit. Additionally, NIS can build, load test and Magnetic Particle Test specialty lifting devices, which will ensure that the part is built to spec., certified to governing body standards, and analyzed at weldmets. All NIS products meet or exceed applicable OSHA and or ASME Standards.

PIG LIFTER

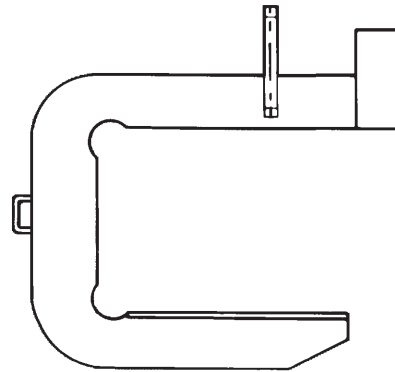
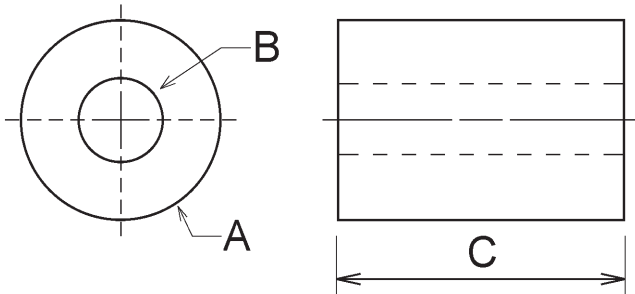
National Industrial Supply, NIS, has engineering and AutoCAD capabilities, which allow for design and back engineering of specialty lifting devices. NIS has the ability to run engineering calculations and perform nondestructive and destructive testing to establish a safe working load limit. Additionally, NIS can build, load test and Magnetic Particle Test specialty lifting devices, which will ensure that the part is built to spec., certified to governing body standards, and analyzed at weldmets. All NIS products meet or exceed applicable OSHA and or ASME Standards.



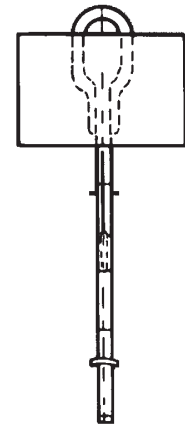
LIFTERS

C-HOOKS

C-HOOK ORDER SPECIFICATIONS



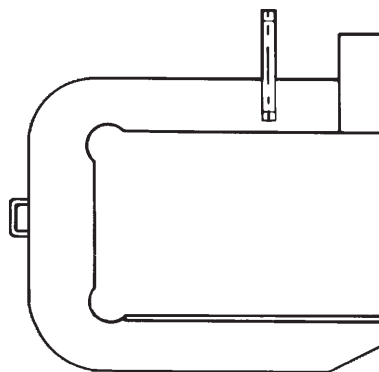
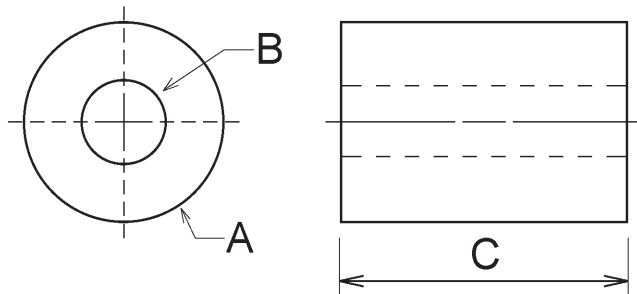
C-Hook



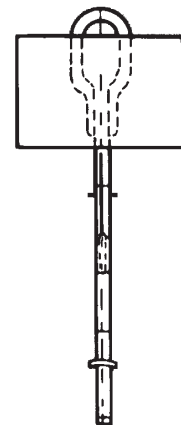
Coil Dimensions

- A. Maximum outside diameter: _____
- B. Minimum inside diameter: _____
- C. Maximum width: _____
- D. Maximum wieght: _____

SHORT STACK C-HOOK ORDER SPECIFICATIONS



Short Stack C-Hook



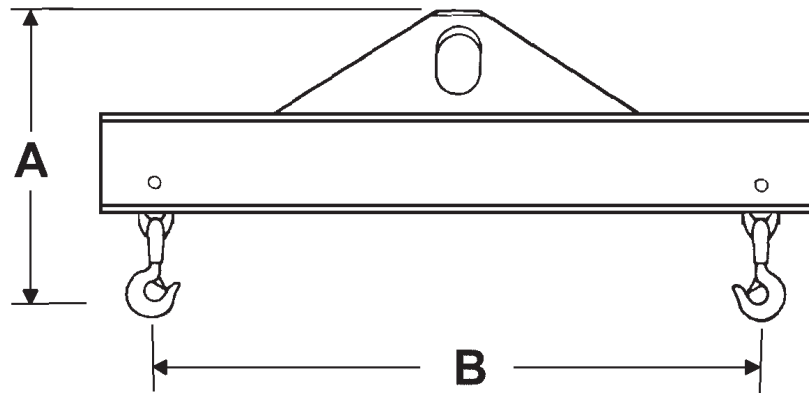
Coil Dimensions

- A. Maximum outside diameter: _____
- B. Minimum inside diameter: _____
- C. Maximum width: _____
- D. Maximum wieght: _____

LIFTERS

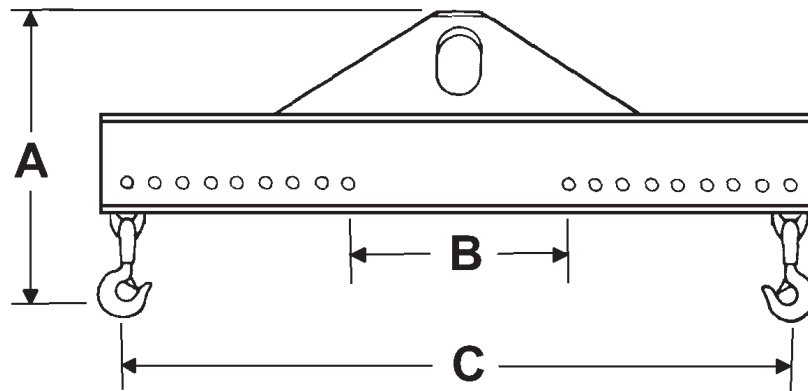
SPREADER BEAMS

STANDARD SPREADER BEAM ORDER SPECIFICATIONS



- A. Height: _____
- B. Length: _____
- C. Maximum total wieght: _____

ADJUSTABLE SPREADER BEAM ORDER SPECIFICATIONS



- A. Height: _____
- B. Minimum length: _____
- C. Maximum length: _____
- D. Maximum total wieght: _____