

# WIRE ROPE (Hardware)

## WIRE ROPE HARDWARE (GENERAL INFORMATION)

### CLOSED AND OPEN SWAGE SOCKETS

The Forged Swage Sockets are tooled from special, fine grained forging steel to meet the industry standards for performance while delivering superior reliability. Hardness and yield strength are balanced for optimum swageability.

### HEAVY DUTY WIRE ROPE THIMBLES

Heavy Duty Wire Rope Thimbles are made from heavy gauge steel and have deep score. They are heavier and stronger than regular wire rope thimbles, and are designed to withstand the crushing strains imposed by severe loads. They are recommended for use with all grades and constructions of wire rope.

### DROP FORGED WIRE ROPE CLIPS

The term “drop forged” is derived from the fact that the bases or saddles are forged from special-bar-quality steel in closed impression dies. Drop Forged Wire Rope Clips are heavier and stronger than regular clips. They are used for heavy duty application, or where load conditions are severe.

### STEEL BUTTON STOPS (PLUGS)

Steel Button Stops are fittings used to form a holding point on a piece of wire rope. Stops are also called plugs, buttons, knobs, end fittings or ferrules. Stops are designed to fit the end of cuts of wire rope and are applied by swaging.

### SLIDING CHOKER HOOKS

Sliding Choker Hooks afford faster handling of pipe, logging, machinery and are also used in stevedoring. Its free movement permits rapid adjustment of the sling to varying sized loads. The saddle is rounded to minimize wear and the hook opening is large enough to take a heavy duty thimble of the same size.

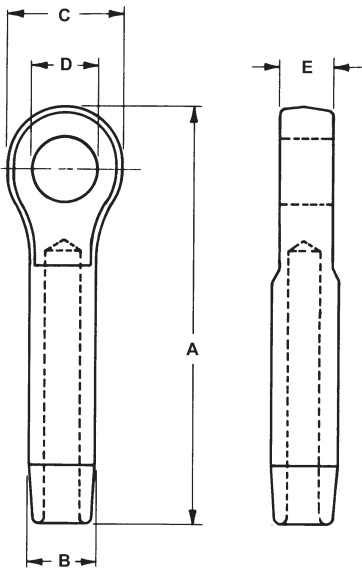
### EYE & SWIVEL HOIST HOOKS

Eye Hoist Hooks and Swivel Hoist Hooks provide a larger eye opening to accommodate such items as heavy duty thimbles, shackles and hammerlocks. Each hook is properly designed, carefully forged and precisely quenched and tempered giving maximum strength and fatigue resistance without excessive weight and bulk. Additionally, each hook permanently shows the rated capacity and offers a pre-drilled cam for an optional safety latch. Even years after purchase of the original hook, latch assemblies can be added. **Caution:** do not engage a load on the tip of a hook the maximum working loads do not apply under such conditions.

# WIRE ROPE (Hardware)

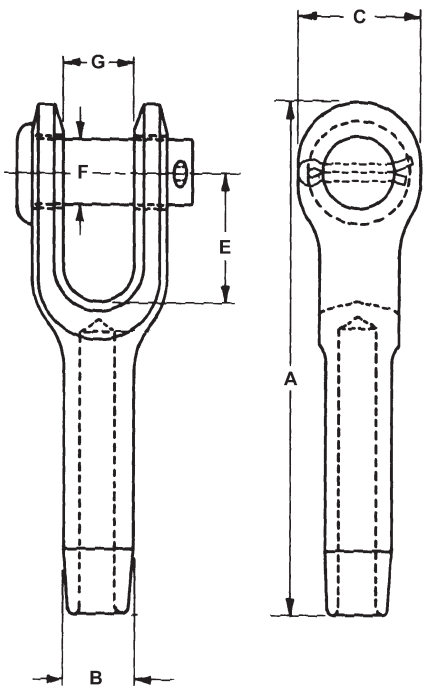
## WIRE ROPE HARDWARE

### CLOSED SWAGE SOCKET SPECIFICATIONS



Rope Size	A	B	B (After Swage)	C	D	E	Part Number
1/4"	4-3/8"	0.495"	0.446"	1-7/16"	3/4"	1/2"	4118128
5/16"	5-1/2"	0.770"	0.697"	1-11/16"	7/8"	11/16"	4118129
3/8"	5-1/2"	0.770"	0.697"	1-11/16"	7/8"	11/16"	4118130
7/16"	6-15/16"	0.982"	0.884"	2"	1-1/16"	7/8"	4118131
1/2"	6-15/16"	0.982"	0.884"	2"	1-1/16"	7/8"	4118132
5/8"	8-3/4"	1.257"	1.134"	2-1/2"	1-1/4"	1-1/8"	4118134
3/4"	10-3/8"	1.545"	1.384"	3"	1-7/16"	1-5/16"	4118135
7/8"	12-1/8"	1.700"	1.512"	3-1/2"	1-11/16"	1-1/2"	4118136
1"	13-3/4"	1.975"	1.762"	4"	2-1/16"	1-3/4"	4118137

### OPEN SWAGE SOCKET SPECIFICATIONS



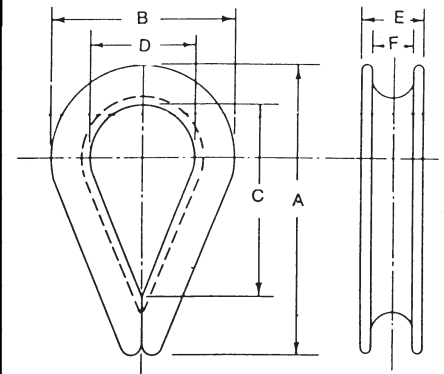
Rope Size	A	B	B (After Swage)	C	E	F	G	Part Number
1/4"	4-3/4"	0.495"	0.446"	1-3/8"	1-1/2"	11/16"	11/16"	4118112
5/16"	6-1/4"	0.770"	0.697"	1-5/8"	1-3/4"	13/16"	13/16"	4118113
3/8"	6-1/4"	0.770"	0.697"	1-5/8"	1-3/4"	13/16"	13/16"	4118114
7/16"	7-13/16"	0.982"	0.884"	2"	2"	1"	1"	4118115
1/2"	7-13/16"	0.982"	0.884"	2"	2"	1"	1"	4118116
5/8"	9-9/16"	1.257"	1.134"	2-1/2"	2-1/4"	1-3/16"	1-1/4"	4118118
3/4"	11-11/16"	1.545"	1.384"	3"	2-3/4"	1-3/8"	1-1/2"	4118119
7/8"	13-5/8"	1.700"	1.512"	3-3/8"	3-1/4"	1-5/8"	1-3/4"	4118120
1"	15-5/8"	1.975"	1.762"	4"	3-3/4"	2"	2"	4118121

# WIRE ROPE (Hardware)

## WIRE ROPE HARDWARE

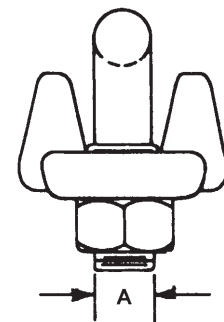
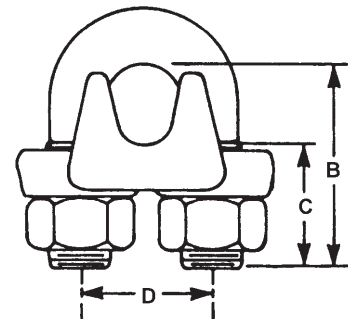
### HEAVY DUTY WIRE ROPE THIMBLE SPECIFICATIONS

Rope Size	A	B	C	D	E	F	Weight per Piece (lbs.)	Part Number
1/4"	2-1/4"	1-1/2"	1-5/8"	7/8"	15/32"	5/16"	0.08	N900
5/16"	2-5/8"	1-13/16"	1-7/8"	1-1/16"	17/32"	3/8"	0.14	N905
3/8"	3"	2-1/8"	2-1/8"	1-1/8"	21/32"	7/16"	0.22	N910
7/16"	3-1/2"	2-3/8"	2-5/16"	1-1/4"	3/4"	1/2"	0.36	N915
1/2"	3-5/8"	2-3/4"	2-3/4"	1-1/2"	15/16"	9/16"	0.51	N920
5/8"	4-1/4"	3-1/8"	3-1/4"	1-3/4"	1-1/32"	11/16"	0.75	N925
3/4"	5"	3-13/16"	3-3/4"	2"	1-1/4"	13/16"	1.47	N930
7/8"	5-1/2"	4-1/4"	4-1/4"	2-1/4"	1-7/16"	1"	1.85	N935
1"	6-1/8"	4-15/16"	4-1/2"	2-1/2"	1-11/16"	1-1/8"	3.00	N940



### DROP FORGED STEEL WIRE ROPE CLIP SPECIFICATIONS

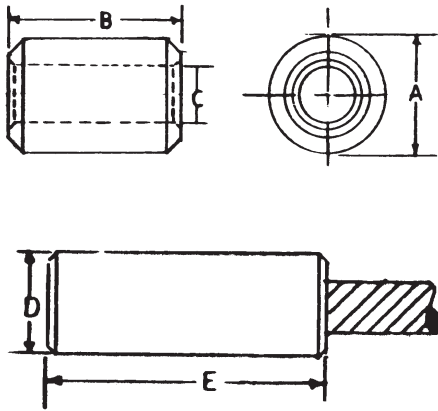
Rope Size	A	B	C	D	Part Number
1/8"	12-24	23/32"	7/16"	15/32"	CM244
3/16"	1/4"-20	31/32"	9/16"	19/32"	CM245
1/4"	5/16"-18	1-1/32"	1/2"	3/4"	CM246
5/16"	3/8"-16	1-3/8"	3/4"	7/8"	CM247
3/8"	7/16"-14	1-1/2"	3/4"	1"	CM248
7/16"	1/2"-13	1-7/8"	1"	1-3/16"	CM249
1/2"	1/2"-13	1-7/8"	1"	1-3/16"	CM250
9/16"	9/16"-12	2-3/8"	1-1/4"	1-5/16"	CM296
5/8"	9/16"-12	2-3/8"	1-1/4"	1-5/16"	CM251
3/4"	5/8"-11	2-3/4"	1-7/16"	1-1/2"	CM252
7/8"	3/4"-10	3-1/8"	1-5/8"	1-3/4"	CM253
1"	3/4"-10	3-1/2"	1-13/16"	1-7/8"	CM254
1-1/8"	3/4"-10	3-7/8"	2"	2"	CM255
1-1/4"	7/8"-9	4-1/4"	2-1/8"	2-5/16"	CM256
1-1/2"	7/8"-9	4-15/16"	2-3/8"	2-19/32"	CM258



# WIRE ROPE (Hardware)

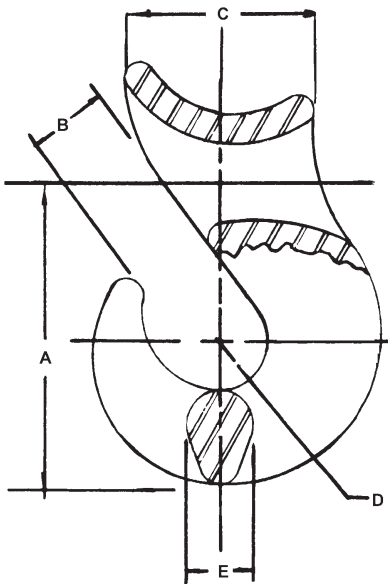
## WIRE ROPE HARDWARE

### STEEL BUTTON STOP (PLUGS) SPECIFICATIONS



Rope Size	A	B	C	D After Swage	E After Swage	Part Number
1/4"	5/8"	3/4"	0.281"	1/2"	1-1/32"	N800
5/16"	3/4"	1"	0.343"	5/8"	1-1/4"	N805
3/8"	7/8"	1-5/16"	0.437"	3/4"	1-1/2"	N810
7/16"	1-1/16"	1-1/2"	0.484"	7/8"	1-7/8"	N815
1/2"	1-3/16"	1-5/8"	0.558"	1"	2"	N820
9/16"	1-1/4"	2"	0.610"	1-1/16"	2-7/16"	N825
5/8"	1-1/2"	2-1/4"	0.687"	1-1/4"	2-3/4"	N830
3/4"	1-3/4"	2-5/8"	0.812"	1-1/2"	3-1/4"	N835
7/8"	2"	3-1/4"	0.938"	1-3/4"	3-7/8"	N837
1"	2-1/4"	3-43/64"	1.061"	2"	4-23/64"	N840

### SLIDING CHOCKER HOOK SPECIFICATIONS



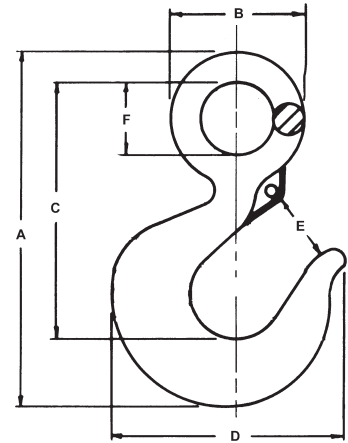
Rope Size	A	B	C	D	E	Working Load Limit (lbs)	Part Number
1/4"-5/16"	2-3/4"	1/2"	1-3/4"	3/8"	5/8"	1,500	N105
3/8"	3-1/8"	5/8"	2"	7/16"	11/16"	2,600	N110
1/2"	3-5/8"	7/8"	2-1/8"	1/2"	3/4"	3,400	N115
5/8"	4-7/16"	1-1/8"	2-3/4"	9/16"	15/16"	5,100	N120
3/4"	4-11/16"	1-1/8"	3-1/8"	11/16"	1-1/4"	8,000	N125
7/8"-1"	6-1/16"	1-1/4"	4-1/4"	7/8"	1-9/16"	15,000	N130
1-1/8"-1-1/4"	8-11/16"	1-3/4"	5-5/8"	1"	1-3/4"	23,000	N135
1-3/8"-1-1/2"	10-5/8"	2-3/8"	7"	1-1/4"	2"	30,000	N140

# WIRE ROPE (Hardware)

## WIRE ROPE HARDWARE

### EYE HOIST HOOK SPECIFICATIONS

Working Load Limit (tons)	A	B	C	D	E	F	Part Number
3/4	4-21/64"	1-15/32"	3-15/64"	2-7/8"	15/16"	3/4"	B100
1	4-15/16"	1-3/4"	3-43/64"	3-3/16"	1-1/64"	29/32"	B200
1-1/2	5-35/64"	2-1/32"	4-3/32"	3-5/8"	1-1/64"	1-1/8"	B300
2	6-25/64"	2-13/32"	4-11/16"	4-3/32"	1-7/32"	1-1/4"	B400
3	7-57/64"	3-13/16"	5-49/64"	4-15/16"	1-1/2"	1-9/16"	B500
5	10-3/32"	4-11/16"	7-3/8"	6-1/2"	1-7/8"	2"	B600
7 1/2	12-1/2"	4-11/16"	9-3/64"	7-19/32"	2-1/4"	2-7/16"	CM414C
11	13-63/64"	5-23/64"	10-1/32"	8-45/64"	2-31/64"	2-27/32"	CM416C



### ALLOY SWIVEL HOIST HOOK WITH LATCH SPECIFICATIONS

Working Load Limit (tons)	A	B	C	D	E	F	G	Part Number
1	2"	1-7/64"	1-1/4"	3-5/32"	1"	5-7/8"	4-5/8"	CM3502A
1-1/2	2-1/2"	1-3/8"	1-1/2"	3-15/32"	1-5/64"	6-57/64"	5-7/16"	CM3503A
2	3"	1-21/32"	1-3/4"	3-25/32"	1-1/8"	7-15/16"	6-1/4"	CM3504A
3	3"	1-21/32"	1-3/4"	4-7/32"	1-1/4"	8-1/4"	6-1/2"	CM3505A
5	3-1/2"	1-49/64"	2"	5-5/64"	1-17/32"	9-23/32"	7-17/32"	CM3507A
7	4-3/4"	2-25/64"	2-3/4"	6-19/64"	1-31/32"	12-13/32"	9-39/64"	CM3509A
11	5-1/2"	2-35/64"	3-1/4"	7-11/16"	2-1/4"	15-7/16"	12-1/16"	CM3511A

