



2127 W. Nordale Drive  
 Appleton, WI 54914  
 Phone: (920) 380-0397  
 Fax: (920) 380-0845  
[miked@allliftcranes.com](mailto:miked@allliftcranes.com)  
[sales@allliftcranes.com](mailto:sales@allliftcranes.com)  
[www.allliftcranes.com](http://www.allliftcranes.com)



## FG-Series Fixed Height Gantry Crane 1 Ton - 5 Ton Capacity 12 ft. HUB

Capacity (Pounds)	Model	Span	Hub Fixed	Beam Height	Flange Width	Caster Diameter	Unit Weight	
1 Ton	FG1-812	8'	12'	6"	4"	8"	869#	
1 Ton	FG1-1012	10'	12'	6"	4"	8"	901#	
1 Ton	FG1-1212	12'	12'	6"	4"	8"	933#	
1 Ton	FG1-1612	16'	12'	8"	5-1/4"	8"	1,087	
2 Ton	FG2-812	8'	12'	8"	5-1/4"	6"	898#	
2 Ton	FG2-1012	10'	12'	8"	5-1/4"	6"	961#	
2 Ton	FG2-1212	12'	12'	8"	5-1/4"	6"	1,003#	
2 Ton	FG2-1612	16'	12'	12"	6 1/2"	6"	1,249#	
3 Ton	FG3-812	8'	12'	12"	6 1/2"	6"	1,153#	
3 Ton	FG3-1012	10'	12'	12"	6 1/2"	6"	1,213#	
3 Ton	FG3-1212	12'	12'	12"	6 1/2"	6"	1,273#	
3 Ton	FG3-1612	16'	12'	14"	8"	6"	1,807#	
4 Ton	FG4-812	8'	12'	14"	8"	10"	1,678#	
4 Ton	FG4-1012	10'	12'	14"	8"	10"	1,784#	
4 Ton	FG4-1212	12'	12'	14"	8"	10"	1,890#	
4 Ton	FG4-1612	16'	12'	14"	8"	10"	2,102#	
5 Ton	FG5-812	8'	12'	16"	7-1/8"	10"	1,718#	
5 Ton	FG5-1012	10'	12'	16"	7-1/8"	10"	1,832#	
5 Ton	FG5-1212	12'	12'	16"	7-1/8"	10"	1,946#	
5 Ton	FG5-1612	16'	12'	16"	7-1/8"	10"	2,174#	

Effective 6/2022

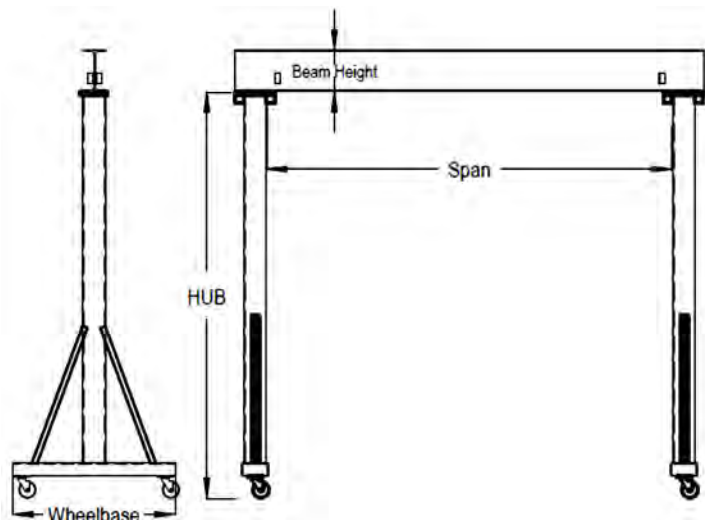
**Other spans, HUBs and capacities to 10 ton available on Fixed Gantries**

**NOTE:**

- Includes (4) steel swivel casters, (2) with brakes.
- Standard wheel base on units above 5' 0".

**Accessories:** TG Tagline Kits  
 Hoists & Trolleys

**Options:** Poly Casters  
 Swivel Locks  
 V-Groove Casters & Track





2127 W. Nordale Drive  
 Appleton, WI 54914  
 Phone: (920) 380-0397  
 Fax: (920) 380-0845  
[miked@allliftcranes.com](mailto:miked@allliftcranes.com)  
[sales@allliftcranes.com](mailto:sales@allliftcranes.com)  
[www.allliftcranes.com](http://www.allliftcranes.com)



## FG-Series Fixed Height Gantry Crane 1 Ton - 5 Ton Capacity 14 ft. HUB

Capacity (Pounds)	Model	Span	Hub Fixed	Beam Height	Flange Width	Caster Diameter	Unit Weight
1 Ton	FG1-814	8'	14'	8"	5-1/4"	8"	1,061#
1 Ton	FG1-1014	10'	14'	8"	5-1/4"	8"	1,109#
1 Ton	FG1-1214	12'	14'	8"	5-1/4"	8"	1,151#
1 Ton	FG1-1614	16'	14'	12"	6 1/2"	8"	1,445#
2 Ton	FG2-814	8'	14'	8"	5-1/4"	6"	1,067#
2 Ton	FG2-1014	10'	14'	12"	6 1/2"	6"	1,265#
2 Ton	FG2-1214	12'	14'	12"	6 1/2"	6"	1,325#
2 Ton	FG2-1614	16'	14'	12"	6 1/2"	6"	1,445#
3 Ton	FG3-814	8'	14'	12"	6 1/2"	6"	1,288#
3 Ton	FG3-1014	10'	14'	12"	6 1/2"	6"	1,348#
3 Ton	FG3-1214	12'	14'	12"	6 1/2"	6"	1,408#
3 Ton	FG3-1614	16'	14'	14"	8"	6"	1,942#
4 Ton	FG4-814	8'	14'	14"	8"	10"	1,669#
4 Ton	FG4-1014	10'	14'	14"	8"	10"	1,975#
4 Ton	FG4-1214	12'	14'	14"	8"	10"	2,081#
4 Ton	FG4-1614	16'	14'	14"	8"	10"	2,293#
5 Ton	FG5-814	8'	14'	16"	7-1/8"	10"	1,909#
5 Ton	FG5-1014	10'	14'	16"	7-1/8"	10"	2,023#
5 Ton	FG5-1214	12'	14'	16"	7-1/8"	10"	2,137#
5 Ton	FG5-1614	16'	14'	16"	7-1/8"	10"	2,365#

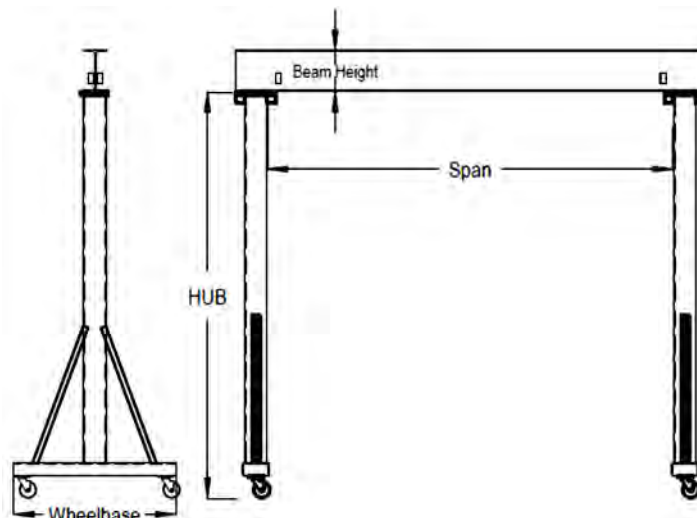
Effective 6/2022 **Other spans, HUBs and capacities to 10 ton available on Fixed Gantries**

**NOT**

- Includes (4) steel swivel casters, (2) with brakes.
- Standard wheel base on units above 5' 8".

**Accessories:** TG Tagline Kits  
 Hoists & Trolleys

**Options:** Poly Casters  
 Swivel Locks  
 V-Groove Casters & Track





2127 W. Nordale Drive  
 Appleton, WI 54914  
 Phone: (920) 380-0397  
 Fax: (920) 380-0845  
[miked@allliftcranes.com](mailto:miked@allliftcranes.com)  
[sales@allliftcranes.com](mailto:sales@allliftcranes.com)  
[www.allliftcranes.com](http://www.allliftcranes.com)



## FG-Series Fixed Height Gantry Crane 1 Ton - 5 Ton Capacity 16 ft. HUB

Capacity (Pounds)	Model	Span	Hub Fixed	Beam Height	Flange Width	Caster Diameter	Unit Weight
1 Ton	FG1-816	8'	16'	12"	6-1/2"	8"	1,286#
1 Ton	FG1-1016	10'	16'	12"	6-1/2"	8"	1,346#
1 Ton	FG1-1216	12'	16'	12"	6-1/2"	8"	1,406#
1 Ton	FG1-1616	16'	16'	12"	6-1/2"	8"	1,526#
2 Ton	FG2-816	8'	16'	12"	6-1/2"	6"	1,804#
2 Ton	FG2-1016	10'	16'	12"	6-1/2"	6"	1,894#
2 Ton	FG2-1216	12'	16'	12"	6-1/2"	6"	1,954#
2 Ton	FG2-1616	16'	16'	12"	6-1/2"	6"	2,074#
3 Ton	FG3-816	8'	16'	14"	8"	6"	2,102#
3 Ton	FG3-1016	10'	16'	14"	8"	6"	2,208#
3 Ton	FG3-1216	12'	16'	14"	8"	6"	2,314#
3 Ton	FG3-1616	16'	16'	14"	8"	6"	2,473#
4 Ton	FG4-816	8'	16'	14"	8"	10"	2,130#
4 Ton	FG4-1016	10'	16'	14"	8"	10"	2,236#
4 Ton	FG4-1216	12'	16'	14"	8"	10"	2,342#
4 Ton	FG4-1616	16'	16'	14"	8"	10"	2,554#
5 Ton	FG5-816	8'	16'	16"	7-1/8"	10"	2,227#
5 Ton	FG5-1016	10'	16'	16"	7-1/8"	10"	2,341#
5 Ton	FG5-1216	12'	16'	16"	7-1/8"	10"	2,455#
5 Ton	FG5-1616	16'	16'	16"	7-1/8"	10"	2,683#

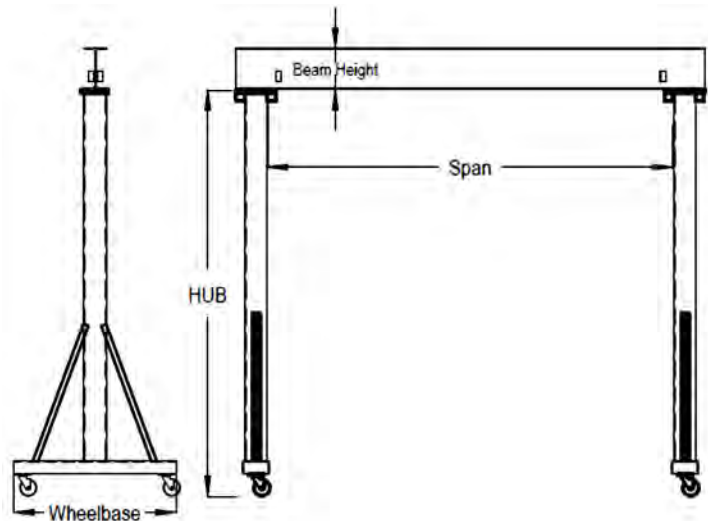
Effective 6/2022 **Other spans, HUBs and capacities to 10 ton available on Fixed Gantries**

**NOTE:**

- Includes (4) steel swivel casters, (2) with brakes.
- Standard wheel base on units above 6'6".

**Accessories:** TG Tagline Kits  
 Hoists & Trolleys

**Options:** Poly Casters  
 Swivel Locks  
 V-Groove Casters & Track





2127 W. Nordale Drive  
 Appleton, WI 54914  
 Phone: (920) 380-0397  
 Fax: (920) 380-0845  
[miked@allliftcranes.com](mailto:miked@allliftcranes.com)  
[sales@allliftcranes.com](mailto:sales@allliftcranes.com)  
[www.allliftcranes.com](http://www.allliftcranes.com)



## TG-Series Telescoping Gantry Crane 1 Ton - 5 Ton Capacity 8 to 12 ft. HUB

Capacity (Pounds)	Model	Span	Hub Adjustment	Beam Height	Flange Width	Caster Diameter	Unit Weight	
1 Ton	TG1-812	8'	8' - 12'	6"	4"	8"	1,015#	
1 Ton	TG1-1012	10'	8' - 12'	6"	4"	8"	1,083#	
1 Ton	TG1-1212	12'	8' - 12'	6"	4"	8"	1,115#	
1 Ton	TG1-1612	16'	8' - 12'	8"	5-1/4"	8"	1,269#	
2 Ton	TG2-812	8'	8' - 12'	8"	5-1/4"	6"	1,080#	
2 Ton	TG2-1012	10'	8' - 12'	8"	5-1/4"	6"	1,143#	
2 Ton	TG2-1212	12'	8' - 12'	8"	5-1/4"	6"	1,185#	
2 Ton	TG2-1612	16'	8' - 12'	12"	6 1/2"	6"	1,431#	
3 Ton	TG3-812	8'	8' - 12'	12"	6 1/2"	6"	1,348#	
3 Ton	TG3-1012	10'	8' - 12'	12"	6 1/2"	6"	1,408#	
3 Ton	TG3-1212	12'	8' - 12'	12"	6 1/2"	6"	1,468#	
3 Ton	TG3-1612	16'	8' - 12'	14"	8"	6"	2,002#	
4 Ton	TG4-812	8'	8' - 12'	14"	8"	10"	1,961#	
4 Ton	TG4-1012	10'	8' - 12'	14"	8"	10"	2,067#	
4 Ton	TG4-1212	12'	8' - 12'	14"	8"	10"	2,173#	
4 Ton	TG4-1612	16'	8' - 12'	14"	8"	10"	2,385#	
5 Ton	TG5-812	8'	8' - 12'	16"	7-1/8"	10"	2,001#	
5 Ton	TG5-1012	10'	8' - 12'	16"	7-1/8"	10"	2,115#	
5 Ton	TG5-1212	12'	8' - 12'	16"	7-1/8"	10"	2,229#	
5 Ton	TG5-1612	16'	8' - 12'	16"	7-1/8"	10"	2,457#	

Effective 6/2022

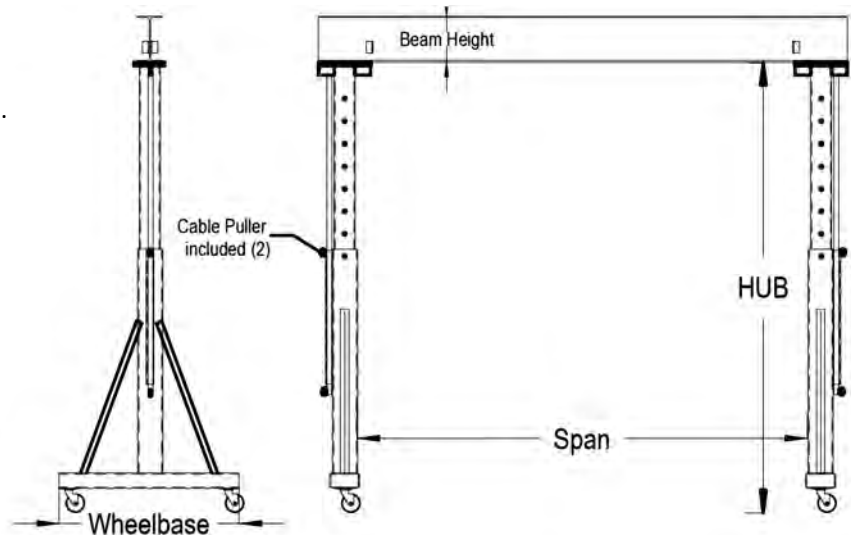
### Other sizes and capacities available

**NOTE:**

- Includes (4) steel swivel casters, (2) with brakes and (2) cable pullers.
- Standard wheel base on units above 5' 0".

**Accessories:** TG Tagline Kits  
 Hoists & Trolleys

**Options:** Poly Casters  
 Swivel Locks  
 V-Groove Casters & Track





2127 W. Nordale Drive  
 Appleton, WI 54914  
 Phone: (920) 380-0397  
 Fax: (920) 380-0845  
[miked@allliftcranes.com](mailto:miked@allliftcranes.com)  
[sales@allliftcranes.com](mailto:sales@allliftcranes.com)  
[www.allliftcranes.com](http://www.allliftcranes.com)



## TG-Series Telescoping Gantry Crane 1 Ton - 5 Ton Capacity 12 to 16 ft. HUB

Capacity (Pounds)	Model	Span	Hub Adjustment	Beam Height	Flange Width	Caster Diameter	Unit Weight	
1 Ton	TG1-816	8'	12' - 16'	12"	6 1/2"	8"	1,496#	
1 Ton	TG1-1016	10'	12' - 16'	12"	6 1/2"	8"	1,556#	
1 Ton	TG1-1216	12'	12' - 16'	12"	6 1/2"	8"	1,616#	
1 Ton	TG1-1616	16'	12' - 16'	12"	6 1/2"	8"	1,736#	
2 Ton	TG2-816	8'	12' - 16'	12"	6 1/2"	6"	1,959#	
2 Ton	TG2-1016	10'	12' - 16'	12"	6 1/2"	6"	2,049#	
2 Ton	TG2-1216	12'	12' - 16'	12"	6 1/2"	6"	2,109#	
2 Ton	TG2-1616	16'	12' - 16'	12"	6 1/2"	6"	2,229#	
3 Ton	TG3-816	8'	12' - 16'	14"	8"	6"	2,374#	
3 Ton	TG3-1016	10'	12' - 16'	14"	8"	6"	2,480#	
3 Ton	TG3-1216	12'	12' - 16'	14"	8"	6"	2,586#	
3 Ton	TG3-1616	16'	12' - 16'	14"	8"	6"	2,798#	
4 Ton	TG4-816	8'	12' - 16'	14"	8"	10"	2,463#	
4 Ton	TG4-1016	10'	12' - 16'	14"	8"	10"	2,569#	
4 Ton	TG4-1216	12'	12' - 16'	14"	8"	10"	2,675#	
4 Ton	TG4-1616	16'	12' - 16'	14"	8"	10"	2,887#	
5 Ton	TG5-816	8'	12' - 16'	16"	7-1/8"	10"	2,507#	
5 Ton	TG5-1016	10'	12' - 16'	16"	7-1/8"	10"	2,621#	
5 Ton	TG5-1216	12'	12' - 16'	16"	7-1/8"	10"	2,735#	
5 Ton	TG5-1616	16'	12' - 16'	16"	7-1/8"	10"	2,963#	

Effective 6/2022

### Other sizes and capacities available

**NOTE:**

- Includes (4) steel swivel casters, (2) with brakes and (2) cable pullers.
- Standard wheel base on units above 6' 6".

**Accessories:** TG Tagline Kits  
 Hoists & Trolleys

**Options:** Poly Casters  
 Swivel Locks  
 V-Groove Casters & Track

