

Series 602/603 mini ratchet lever hoist

Mini-Ratchet Lever Hoists lift up to 1100 lbs. plus the convenience of toolbox storage.

The CM Series 603 & 602 Mini-Hoists are the most compact ratchet lever hoists in the market, perform just like the larger models, plus come standard with these great features:

- Plated load chain is standard.
- Weston-type load brake.
- Rubber hand grip for better comfort and security.
- Lightweight design for ease of portability. Use in confined conditions with one-hand operation.
- Forged upper and lower hooks with latches standard.
- Impact resistant, all-steel frame, gear case and cover.
- Hardened link-type alloy steel load chain for strength and long wear.
- Free wheeling feature serves to quickly attach the load.
- Metric rated.



Our compact Mini-Hoists perform just like the larger hoists, except they're small enough to fit in the palm of your hand.



Series 602 Convenient Carry Bag - Product Code # 0212



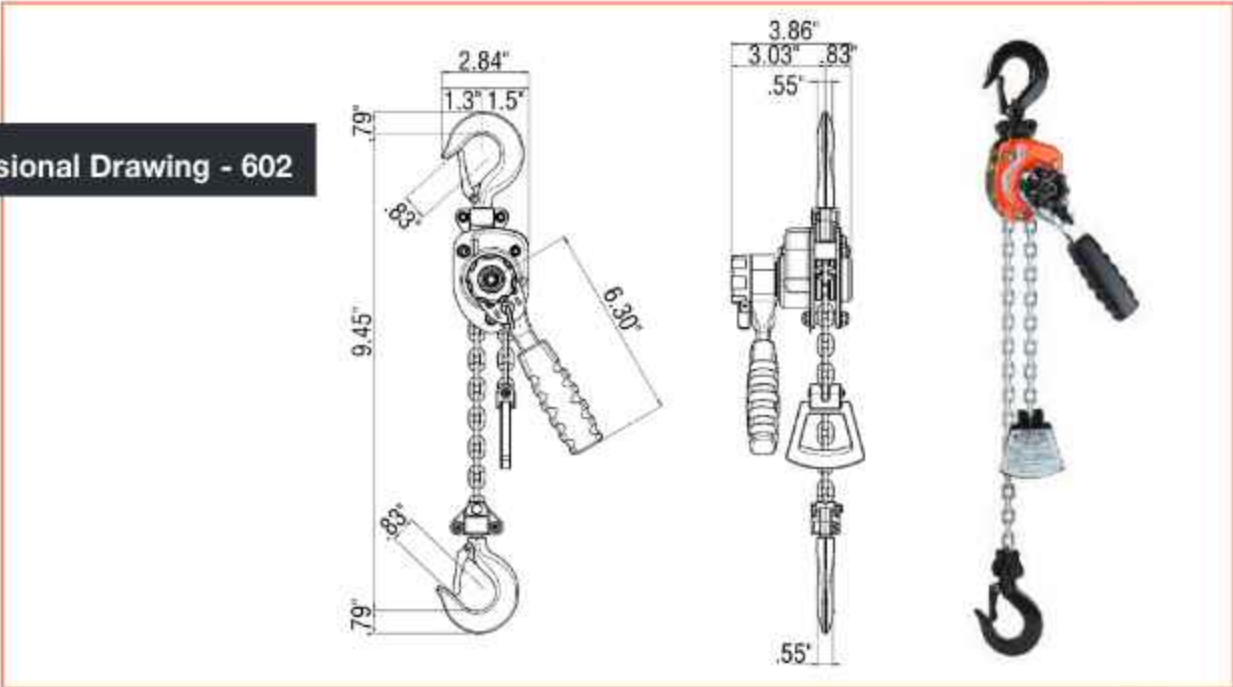
Series 603 Convenient Carry Bag - Product Code # 0217

SPECIFICATIONS

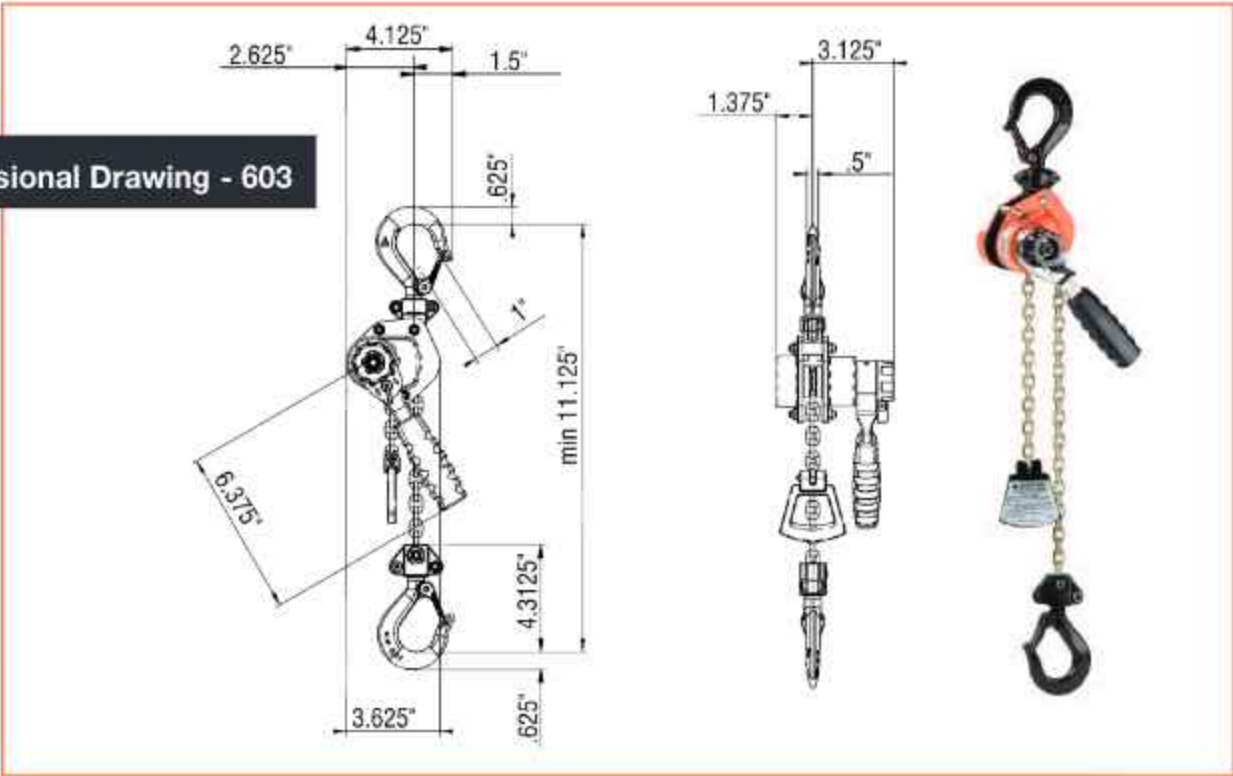
Product Code	Model Number	Rated Capacity (Lbs.)	Rated Capacity (Kg.)	Standard Lift	Number of Chainfalls	Minimum Distance Between Hooks (In.)	Lift w/ One Full Lever Turn (In.)	Handle Length (In.)	Handle Pull @ W.L.L. (Lbs.)	Approx. shipping wgt. (lbs)
0210	Series 602	550	250	5	1	9.45	3.15	6.300	56	6
0214	Series 602 w/10' lift	550	250	10	1					7
0212	Series 602 Carry Bag									.3
0215	Series 603	1,100	500	5	1	11.125	1.57	6.375	78	7
0216	Series 603 w/10' lift	1,100	500	10	1	11.125	1.57	6.375	78	8
0217	Series 603 Carry bag									.3

Series 602 mini ratchet lever hoist-Specifications

Dimensional Drawing - 602



Dimensional Drawing - 603



Bandit Ratchet Lever Hoist

The CM® Bandit™ is one of the most compact and durable ratchet lever hoists in the industry. Its lightweight and portable design, easy free-chaining feature and 360° rotating handle make it one of the most versatile hoists on the market today. Now available in 3/4, 1-1/2, 3 and 6 ton capacities for all of your pulling and lifting needs.

CAPACITIES & LIFT

Capacities of 3/4, 1-1/2, 3 & 6 tons. Metric Rated. Standard lifts up to 20 feet. Longer lifts are available.

COMPACT & PORTABLE DESIGN

Rugged, yet lightweight, design and construction allow the Bandit to be easily transported and used in even the most confining spaces.

OUR FIRST HOIST WITH

CM® SMART ID™ RFID TECHNOLOGY!

- Standard on all U.S. Bandit units.
- Chip associated with detailed product information at the factory.



FREE-CHAINING

Easy free-chaining feature allows for quick take up and positioning of slack chain. Designed not to accidentally free chain while under load.

360° ROTATING HANDLE

Full rotation of handle allows for versatile rigging options when working in tight spaces.

LOW HANDLE EFFORT

Double reduction gearing provides easy operation with minimal handle effort.

COMFORT-FIT HANDLE

Screwed-on comfortable rubber grip makes for a secure hold in all environments.

LOAD SECURITY & EASY INSPECTION

Upper and lower hooks feature standard cast safety latches that provide positive and secure load engagement. Hooks are bolted on for easy removal and inspection.

MEETS ASME B30.21

POSITIVE LOAD CONTROL

Enclosed Weston-type load brake stays clean and dry for positive load positioning.

EASY TO POSITION & ATTACH

Upper and lower hooks feature extra-wide throat openings to allow for easier attachment to pick points. Hooks swivel 360° for faster positioning.

BUILT TO LAST

Impact-resistant stamped steel housing withstands repeated rigorous use.

CORROSION RESISTANT

Standard powder coat finish on housing and zinc plating on major components for extra protection against corrosion when working in harsh environments.

100% LOAD TESTED GOLD CHROMATE CHAIN

Proven chain integrity and corrosion resistance.

EASY IDENTIFICATION

Each unit has a unique serial number for easy and accurate identification.

OPTIONAL SHIPYARD HOOKS

Shipyards hooks are available as an option on 1-1/2 & 3 ton units.

OPTIONAL INTERNAL LOAD LIMITER

Allows the handle to rotate but will not lift if load exceeds 125% of the working load limit.

BANDIT HOISTS SHIP IN 3 DAYS OR LESS – GUARANTEED

3/4 & 1-1/2 ton units are eligible for our In-Stock Guarantee.

FAST & EASY PARTS ACCESS

Genuine CM Bandit parts are available in Total Repair Kits and convenient bulk packaging.



3/4 ton US model pictured above

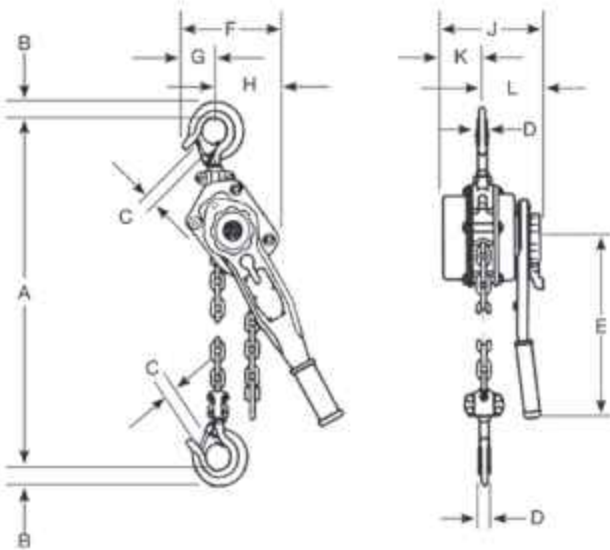


THE WORLD'S FIRST
HMI-CERTIFIED
RATCHET LEVER HOIST

Bandit Ratchet Lever Hoist product at a glance

Capacities (Ton)	In-Stock Guarantee	CM Smart ID RFID	Initial Assembly	Final Assembly	Hook Origin	Tri-Point Hook Inspection	Optional Shipyard Hooks	Chain Origin	Type of Chain	Load Tested
3/4	✓	✓	CMCO China Facility	CMCO USA Facility	CMCO USA Facility			CMCO USA Facility	Gold Chromate	China & USA
1-1/2	✓	✓			CMCO USA Facility		✓			
3		✓			CMCO China Facility	✓	✓			
6		✓			CMCO China Facility	✓				

Check for availability on 3 and 6 ton units.



BANDIT TRI-POINT HOOK INSPECTION

Load hooks feature 3 raised points that allow you to measure the hook to detect any indication of overload or deformation.

Available on 3 & 6 ton capacity models.



Bandit Ratchet Lever Hoist specifications

Model Number *	Capacity Metric Rated Ton (kg)	Standard Lift FT (m)	Lever Pull to Lift Rated Load LBF (kg)	Net Weight LB (kg)	Dimensions Inches (mm)										
					A	B	C	D	E	F	G	H	J	K	L
BAN07606	3/4 (750)	5 (1.52)	45 (20.41)	13.6 (6.17)	12.80 (325.12)	0.94 (23.88)	1.13 (28.70)	0.69 (17.53)	9.63 (244.60)	4.88 (123.95)	2.19 (55.63)	3.31 (84.07)	6.06 (153.92)	2.11 (53.59)	3.95 (100.33)
BAN07610		10 (3.05)		15.7 (7.12)											
BAN07615		15 (4.57)		18 (8.16)											
BAN07620		20 (6.1)		20.1 (9.12)											
BAN16006	1-1/2 (1500)	5 (1.52)	64 (29.03)	20.7 (9.39)	14.20 (360.68)	1.13 (28.70)	1.25 (31.75)	0.81 (20.57)	10.25 (260.35)	5.63 (143.00)	2.38 (60.45)	3.56 (90.42)	6.75 (171.45)	2.69 (68.33)	4.13 (104.90)
BAN16010		10 (3.05)		24.3 (11.02)											
BAN16015		15 (4.57)		27.9 (12.65)											
BAN16020		20 (6.1)		31.5 (14.29)											
BAN30006	3 (3000)	5 (1.52)	73 (33.11)	38.3 (17.37)	17.50 (444.5)	1.69 (42.93)	1.56 (39.62)	1.25 (31.75)	16.37 (415.8)	7.52 (191.01)	3.38 (85.85)	4.65 (118.11)	7.84 (199.14)	3.29 (83.57)	4.56 (115.82)
BAN30010		10 (3.05)		45.7 (20.73)											
BAN30015		15 (4.57)		53 (24.04)											
BAN30020		20 (6.1)		60.4 (27.4)											
BAN60006	6 (6000)	5 (1.52)	93 (42.18)	63.2 (28.67)	22.00 (558.8)	1.81 (45.97)	2.19 (55.63)	1.50 (38.1)	16.37 (415.8)	9.47 (240.54)	3.38 (85.85)	6.05 (153.67)	7.84 (199.14)	3.29 (83.57)	4.56 (115.82)
BAN60010		10 (3.05)		77.9 (35.33)											
BAN60015		15 (4.57)		92.6 (42.00)											
BAN60020		20 (6.1)		107.3 (48.7)											

Check for availability on 3 and 6 ton units.

Tornado 360 Ratchet Lever Hoist

Redefining lever-operated hoists, the CM® Tornado 360™ features the revolutionary Sidewinder™ lever handle that allows for efficient operation in both lifting and pulling applications. Ergonomically designed for increased safety, the patent-pending CM Tornado 360° lets the operator work up to 12 times faster and with as much as 30% less pull force than with conventional ratchet lever tools.

Available in 3/4, 1-1/2, 3 and 6 Ton capacities with standard lifts up to 20 feet.

STANDARD FEATURES

SIDEWINDER LEVER HANDLE

This first-of-its-kind lever handle design will revolutionize the ratchet lever hoist industry. Its unique foldable handle and 360° rotating lever increases productivity while reducing the risk of operator injury.

CONVENIENT DIRECTIONAL INDICATOR

Easy-to-use, highly visible directional indicator located on the handle clearly shows the operating direction as lifting, lowering or neutral.

EASY & SMOOTH FREE CHAINING

For quick take up and positioning of slack chain – even with one hand. Designed not to accidentally free chain while under load. Cast chain end stop allows the user to easily position the chain in free-chaining mode and prevents it from entering the liftwheel and jamming the hoist.

POSITIVE LOAD CONTROL

Enclosed Weston-type brake stays clean and dry for precise load positioning.

BUILT TO LAST

Lightweight aluminum housing withstands rigorous use and features high-quality, long-lasting bearings. Powder coat finish provides extra protection in harsh environments.

MEETS ASME B30.21

EXCELLENT CORROSION PROTECTION

Robust chain guide and chain stripper made from cast steel and zinc-plated for corrosion protection.

100% LOAD TESTED CHAIN

U.S. units contain gold chromate chain designed and manufactured in the U.S.A. by Columbus McKinnon. Canadian units contain zinc-plated chain. Both chain finishes protect against corrosion.

EASY-TO-INSPECT SWIVEL HOOKS

Bolt-on hooks with nylon locks help users comply with ASME B30.21 and B30.10 inspection requirements. Hooks are forged, allowing them to yield under overload without breaking. Cast safety latches provide positive and secure load engagement.

INDUSTRY-LEADING WARRANTY

Our lifetime warranty on all mechanical components, including the Sidewinder lever handle, is the industry's best warranty against manufacturing and material defects.

With our 3-year brake warranty, if the brake discs wear out within 3 years from the date of purchase, CMCO will replace the ratchet disc assembly free of charge.

EASY IDENTIFICATION

Each unit has a unique serial number for easy and accurate identification.



US model pictured above

OPTIONAL FEATURES

SHIPYARD HOOKS

Available on 1-1/2 and 3 ton units only.

INTERNAL LOAD LIMITER

Allows the handle to rotate freely, preventing the lifting of an overload sufficient to damage the hoist. Units equipped with a load limiter feature a black hand wheel for quick and easy on-site identification.

CM SMART ID™ RADIO FREQUENCY IDENTIFICATION

Simplify inventory and inspection management processes.

At a Glance

EASILY CHANGE YOUR GRIP TO SUIT THE APPLICATION

The CM Tornado 360° gives operators ultimate flexibility. When an application requires a customary ratcheting hand grip, the Tornado 360° can be operated like a traditional lever tool when the lever handle is in the upright position. inspection management processes.

ERGONOMIC DESIGN DELIVERS OPTIMAL OPERATOR SAFETY

- Hoist design allows the operator to work in a safe and ergonomic position.
- Sidewinder lever handle enables smooth 360° operation, reducing repetitive wrist action experienced with traditional ratchet lever hoists.
- Double reduction gearing and high-quality bearings decrease required pull force by up to 30%, reducing operator fatigue.

EASILY CARRY & TRANSPORT WITH JUST ONE HAND

When folded out, the lever handle can serve as a carrying grip for easy transport. Simply attach the end stop to the hook and slip the hook onto the Sidewinder lever handle to lift and carry the unit with one hand.

EASIER MAINTENANCE & INSPECTION

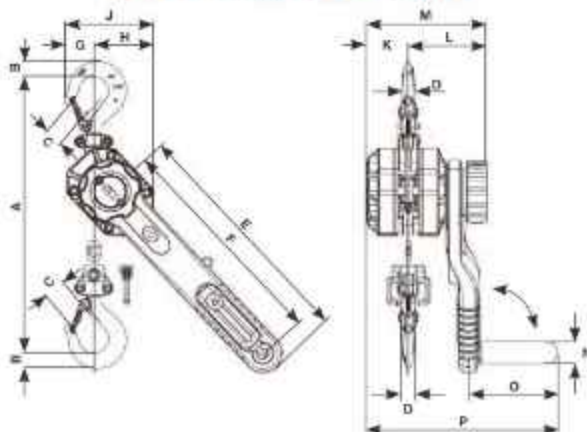
For quicker maintenance and lower repair costs, screws are set into the hoist body to protect them from potential damage.

To ensure optimal performance and safety, demand genuine CMCO parts. Protect your investment, maintain warranty requirements and preserve the integrity of your hoist's superior design – ask for Parts Star™ by Columbus McKinnon.

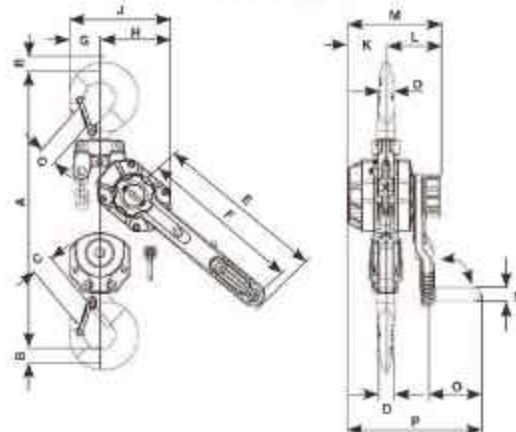
Specifications

Capacity Tons (kg.)	Product Code		Standard Lift ft. (m)	Pull Force to Lift Rated Load lb./ft. (kg./ft.)		Reeving	Weight lbs. (kg)	Dimensions in. (mm)																													
	without load limiter	with load limiter		Sidewinder Lever Handle Operation	Traditional Lever Operation			A (Min.)	B	C	D	E	F	G	H	J	K	L	M	N	O	P															
0.75 (750)	TDR07505	TDR07505LL	5 (1.5)	36.2 (17.3)	47.2 (21.4)	1	14.6 (6.62)	12.68 (320)	0.79 (20)	1.06 (27)	0.71 (18)	12.87 (327)	11.81 (300)	1.57 (40)	3.16 (81)	4.76 (121)	2.20 (56)	4.13 (105)	6.33 (161)	1.18 (30)	4.72 (120)	10.1 (257)															
	TDR07510	TDR07510LL	10 (3.0)				16.8 (7.62)																														
	TDR07515	TDR07515LL	15 (4.5)				19.0 (8.62)																														
	TDR07520	TDR07520LL	20 (6.0)				21.2 (8.62)																														
	TDR075LCX	TDR075LCXLL	Less Chain				11.95 (5.42)																														
1.5 (1,500)	TDR15005	TDR15005LL	5 (1.5)	58.5 (26.5)	80.7 (37.5)	1	21.0 (9.52)	14.78 (375)	1.02 (26)	1.22 (31)	0.83 (21)	12.87 (327)	11.81 (300)	2.01 (51)	3.78 (96)	6.79 (173)	2.71 (69)	4.33 (110)	7.05 (178)	1.18 (30)	4.72 (120)	10.7 (273)															
	TDR15010	TDR15010LL	10 (3.0)				24.5 (11.11)																														
	TDR15015	TDR15015LL	15 (4.5)				28.1 (12.75)																														
	TDR15020	TDR15020LL	20 (6.0)				31.0 (14.33)																														
	TDR150LCX	TDR150LCXLL	Less Chain				16.71 (7.58)																														
	00002145	Optional Upper Shipyards Hook					4.4 (2.05)																14.02 (356)	1.10 (28)	1.06 (27)	0.91 (23)	12.87 (327)	11.81 (300)	1.40 (37)	3.78 (96)	5.24 (133)	2.72 (69)	4.33 (110)	7.05 (178)	1.18 (30)	4.72 (120)	10.75 (273)
	3315WLP	Optional Lower Shipyards Hook					2.87 (1.30)																2.87 (73)	1.30 (33)	1.30 (33)	1.30 (33)	1.30 (33)	1.30 (33)	1.30 (33)	1.30 (33)	1.30 (33)	1.30 (33)	1.30 (33)	1.30 (33)	1.30 (33)	1.30 (33)	1.30 (33)
3 (3,000)	TDR30005	TDR30005LL	5 (1.5)	79.4 (36)	90.4 (41)	1	35.61 (16.61)	17.52 (445)	1.95 (50)	1.57 (40)	1.10 (28)	14.84 (377)	13.78 (350)	2.24 (57)	4.84 (123)	7.09 (180)	3.29 (84)	4.76 (121)	8.15 (207)	1.18 (30)	4.72 (120)	11.77 (298)															
	TDR30010	TDR30010LL	10 (3.0)				44.01 (19.96)																														
	TDR30015	TDR30015LL	15 (4.5)				51.41 (23.32)																														
	TDR30020	TDR30020LL	20 (6.0)				58.81 (26.68)																														
	TDR300LCX	TDR300LCXLL	Less Chain				29.21 (13.25)																														
	00002383	Optional Upper Shipyards Hook					4.23 (1.92)																17.17 (436)	1.46 (37)	1.42 (36)	1.10 (28)	14.84 (377)	13.78 (350)	1.80 (46)	4.84 (123)	6.73 (171)	3.29 (84)	4.76 (121)	8.15 (207)	1.18 (30)	4.72 (120)	11.77 (298)
3403WLP	Optional Lower Shipyards Hook		4.81 (2.18)	4.81 (122)	2.18 (55)	2.18 (55)	2.18 (55)	2.18 (55)	2.18 (55)	2.18 (55)	2.18 (55)	2.18 (55)	2.18 (55)	2.18 (55)	2.18 (55)	2.18 (55)	2.18 (55)	2.18 (55)	2.18 (55)	2.18 (55)	2.18 (55)																
6 (6,000)	TDR60005	TDR60005LL	5 (1.5)	93.8 (42)	92.6 (42)	2	52.26 (23.70)	22.17 (563)	1.77 (45)	1.73 (44)	1.30 (33)	14.84 (377)	13.78 (350)	2.80 (71)	6.38 (162)	9.17 (233)	3.39 (86)	4.76 (121)	8.15 (207)	1.18 (30)	4.72 (120)	11.77 (299)															
	TDR60010	TDR60010LL	10 (3.0)				59.66 (27.08)																														
	TDR60015	TDR60015LL	15 (4.5)				67.06 (30.42)																														
	TDR60020	TDR60020LL	20 (6.0)				74.46 (33.77)																														
	TDR600LCX	TDR600LCXLL	Less Chain				44.86 (20.35)																														

3/4, 1-1/2 AND 3 TON UNITS



6 TON UNITS



Tornado 360 Ratchet Lever Hoist

THE REVOLUTIONARY SIDEWINDER™ LEVER HANDLE

The patent-pending CM Tornado 360° ratchet lever hoist features the revolutionary Sidewinder™ lever handle. What makes the Sidewinder so unique are two innovative components:

1. 360° ROTATING LEVER

The unique offset, or curved, design of the lever keeps the operator's hand and body aligned with the load chain. This reduces the risk of the twist effect (when a hoist twists around the chain) and the need to stabilize the hoist with another hand.



2. FOLD-OUT REVOLVING HANDLE

Recessed in the lever, the heavy-duty steel core handle folds down into position on either side of the lever, allowing for easy operation from any angle. The handle is grooved to provide a secure grip – even with gloves.



The handle revolves, allowing the operator to ergonomically and easily maintain control of the lever through its full 360° range of motion.

Together, the Sidewinder's lever and handle allow the operator to realize the full potential of 360° rotation, making the CM Tornado 360° unlike any other ratchet lever hoist on the market:

- 360° rotation increases efficiency, allowing operators to work up to 12 times faster than with a conventional ratchet lever hoist.
- Minimal effort with best-in-class lever pull force that beats the competition: 38.2 lb./ft. for the 3/4 ton unit and 58.5 lb./ft. for the 1-1/2 ton unit.

**DISTINCTIVE
CLICKING SOUND**
ENSURES THE HANDLE
IS LOCKED INTO POSITION

To return handle to upright position, simply pull the handle outward and snap into place inside the lever.

FOLD-OUT REVOLVING HANDLE

360° ROTATING LEVER



EASY-TO-USE DIRECTIONAL CONTROL & FREE CHAINING

CONVENIENT DIRECTIONAL INDICATOR

Easy-to-use, highly visible directional indicator window located in the lever clearly shows the operating direction as lifting (▲), lowering (▼) or neutral (N).



EASY & SMOOTH FREE CHAINING

Allows for quick take up and positioning of slack chain – even with one-handed use. Designed not to accidentally free chain while under load. Cast chain end stop allows the user to quickly position the chain in free-chaining mode and prevents it from entering the liftwheel and jamming the hoist.

In this mode of operation, the chain can be pulled through the hoist in either direction by hand for quick attachment to the load. To engage the free chaining feature, remove the load and move the directional lever to the neutral (N) position.



SAFE & SECURE SELECTOR LEVER LOCKS IN PLACE TO PREVENT ACCIDENTALLY SWITCHING.

Pull down on the selector lever to unlock it, turn it to the desired direction, and release it into the locking position.

Series 653 Ratchet Lever hoist

As part of our commitment to bring best-in-class products to market, we are continuously looking to improve existing products. Our popular CM Series 653 ratchet lever hoist has been redesigned with a shorter handle. This modest modification makes a world of difference. Ideal for confined work areas, the Series 653 3/4 and 1-1/2 ton models are now some of the most nimble and easiest to operate hoists on the market today.

CAPACITIES & LIFT

3/4 & 1-1/2 Ton capacities (new shorter handle). 3 & 6 Ton capacities (standard handle). Metric Rated. Standard Lift up to 20 feet.

COMPACT & PORTABLE DESIGN

Take this rugged hoist anywhere. Easily transported and rigged even in the smallest work spaces.

FREE CHAINING

Single-handed free chaining feature allows for quick take up and positioning of slack chain. Designed not to accidentally free chain while under load.

360° ROTATING HANDLE

Full rotation of handle allows for versatile rigging options when working in confined spaces.

RUGGED DESIGN

Impact resistant stamped steel frame and gear cover withstands repeated rigorous use.

BUILT TO LAST

Zinc plated hardened steel chain provides strength and longer wear life which translates to less down time.

POSITIVE LOAD CONTROL

Enclosed Weston type load brake stays clean and dry for positive load positioning.

LOAD CONTROL

Double pawl design ensures that one pawl will be engaged at all times for reliable load control.

SAFE & SECURE

Standard heavy duty forged safety latches on hooks provide positive and secure load engagement.

CORROSION RESISTANT

Standard powder coat finish for extra protection against corrosion when working in harsh environments.

NON-SLIP RUBBER HANDLE GRIP

Comfortable rubber grip provides for extra protection against slippage.

Meets ASME B30.21

5 YEAR WARRANTY

THE ADVANTAGES OF THE SHORTER HANDLE

LESS WEIGHT TO TRANSPORT

Reduces the overall weight of the hoist, making it even easier to carry and operate.

FITS IN SMALL WORK AREAS

The smaller handle allows the Series 653 to fit into confined work areas.

MAKE THE FULL ROTATION

Take full advantage of the 360° rotating handle with less worry of obstructions.

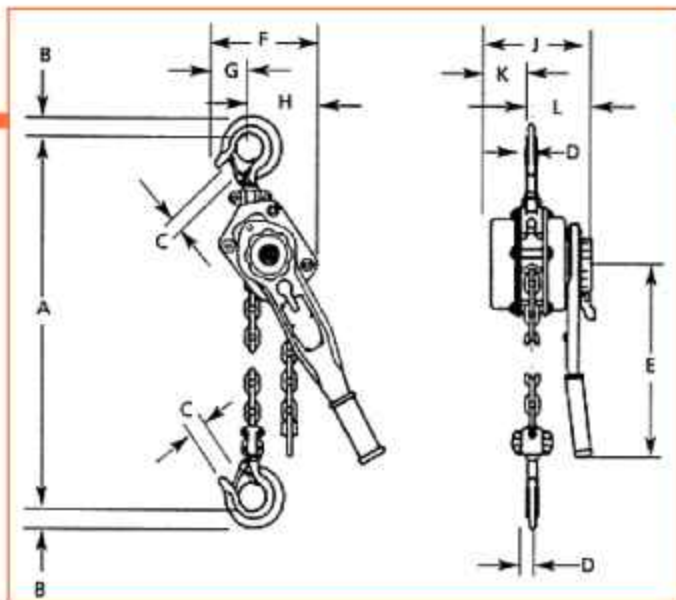


*WARNING

Overloading and improper use can result in injury.

To avoid injury:

- Do not exceed working load limit, load rating capacity
- Do not use to lift people or loads over people.
- Use only alloy chain for overhead lifting.
- Read and follow all instructions.



Series 653 lever operated hoist-specifications

	Capacity (tons)	Product code	Net Wt. (lbs.)
Upper Shipyard hook	1 1/2	3315WLP	2.9
	3	3303WLP	4.9
Lower Shipyard hook	1 1/2	3415WLP	2.1
	3	3403WLP	4.8

Product Code	Max. Capacity (tons)	Standard Lift (ft.)	Approx. Shipping wgt. (lbs.)
5336	1 1/2	5	27
5337	1 1/2	5	28
5338	3	5	45
5339	3	5	46

Specifications

Product code	Load rating (tonnes)	Lift or reach (ft.)	Lever pull to lift rated load (lbs.)	Approx. ship wt. (lbs.)	A	B	C	D	E	F	G	H	J	K	L
5310	3/4	5	33	15.0	12 ⁵ / ₈	15/16	1 1/8	11/16	9 1/4	4 ³ / ₈	2 ³ / ₁₆	2 ³ / ₁₆	5 ¹⁵ / ₁₆	2 ³ / ₈	3 ⁹ / ₁₆
5311	3/4	10	33	15.8	12 ⁵ / ₈	15/16	1 1/8	11/16	9 1/4	4 ³ / ₈	2 ³ / ₁₆	2 ³ / ₁₆	5 ¹⁵ / ₁₆	2 ³ / ₈	3 ⁹ / ₁₆
5312	3/4	15	33	16.6	12 ⁵ / ₈	15/16	1 1/8	11/16	9 1/4	4 ³ / ₈	2 ³ / ₁₆	2 ³ / ₁₆	5 ¹⁵ / ₁₆	2 ³ / ₈	3 ⁹ / ₁₆
5313	3/4	20	33	17.3	12 ⁵ / ₈	15/16	1 1/8	11/16	9 1/4	4 ³ / ₈	2 ³ / ₁₆	2 ³ / ₁₆	5 ¹⁵ / ₁₆	2 ³ / ₈	3 ⁹ / ₁₆
5328	1	5	44	15.0	12 ⁵ / ₈	15/16	1 1/8	11/16	9 1/4	4 ³ / ₈	2 ³ / ₁₆	2 ³ / ₁₆	5 ¹⁵ / ₁₆	2 ³ / ₈	3 ⁹ / ₁₆
5315	1 1/2	5	51	27.0	14 ³ / ₁₆	1 1/8	1 1/4	13/16	13	4 ³ / ₈	2 ³ / ₈	2 ³ / ₈	6 ⁷ / ₈	3	3 ¹⁵ / ₁₆
5316	1 1/2	10	51	31.4	14 ³ / ₁₆	1 1/8	1 1/4	13/16	13	4 ³ / ₈	2 ³ / ₈	2 ³ / ₈	6 ⁷ / ₈	3	3 ¹⁵ / ₁₆
5317	1 1/2	15	51	35.8	14 ³ / ₁₆	1 1/8	1 1/4	13/16	13	4 ³ / ₈	2 ³ / ₈	2 ³ / ₈	6 ⁷ / ₈	3	3 ¹⁵ / ₁₆
5318	1 1/2	20	51	40.2	14 ³ / ₁₆	1 1/8	1 1/4	13/16	13	4 ³ / ₈	2 ³ / ₈	2 ³ / ₈	6 ⁷ / ₈	3	3 ¹⁵ / ₁₆
5329	2	5	68	27.0	14 ¹³ / ₁₆	1 1/8	1 1/4	13/16	16 1/4	4 ³ / ₈	2 ³ / ₈	2 ³ / ₈	6 ⁷ / ₈	3	3 ¹⁵ / ₁₆
5320	3	5	77	45.0	18 ¹¹ / ₁₆	1 ¹³ / ₁₆	1 ⁹ / ₁₆	1 1/4	16 1/4	7 1/2	3 ³ / ₈	4 ³ / ₁₆	7 1/8	3 ³ / ₈	4 ⁹ / ₁₆
5321	3	10	77	52.3	18 ¹¹ / ₁₆	1 ¹³ / ₁₆	1 ⁹ / ₁₆	1 1/4	16 1/4	7 1/2	3 ³ / ₈	4 ³ / ₁₆	7 1/8	3 ³ / ₈	4 ⁹ / ₁₆
5330	6	5	77	78.0	23 ¹ / ₄	1 ¹³ / ₁₆	2 ³ / ₁₆	1 1/2	16 1/4	7 1/2	3 ³ / ₈	4 ³ / ₁₆	7 1/8	3 ³ / ₈	4 ⁹ / ₁₆
5331	6	10	77	94.0	23 ¹ / ₄	1 ¹³ / ₁₆	2 ³ / ₁₆	1 1/2	16 1/4	7 1/2	3 ³ / ₈	4 ³ / ₁₆	7 1/8	3 ³ / ₈	4 ⁹ / ₁₆
5332	6	15	77	110.0	23 ¹ / ₄	1 ¹³ / ₁₆	2 ³ / ₁₆	1 1/2	16 1/4	7 1/2	3 ³ / ₈	4 ³ / ₁₆	7 1/8	3 ³ / ₈	4 ⁹ / ₁₆
5333	6	20	77	126.0	23 ¹ / ₄	1 ¹³ / ₁₆	2 ³ / ₁₆	1 1/2	16 1/4	7 1/2	3 ³ / ₈	4 ³ / ₁₆	7 1/8	3 ³ / ₈	4 ⁹ / ₁₆



Shipyard hooks are available for use with the Series 653 in shipbuilding and metal fabrication industries. The upper shipyard hook replaces the standard hook and easily attaches to the body of the hoist. The lower hook is furnished with a chain block for direct attachment to the load of the hoist. Shipyard hooks are excellent for positioning steel plate and fixtures during welding applications.

Puller



The CM Puller is designed for heavy-duty construction and industrial applications. Used to pull, lift, drag or stretch, it features:

- Tough aluminum alloy construction and powder coat finish
- Weatherproof for outdoor service
- Simple construction with fewer parts for ease of maintenance and lower inventories
- Hoist alloy hardened steel link type load chain for strength, long wear life and flexibility
- Weatherized Weston-type automatic braking system for positive load control
- Easy, one-hand operation and control — only 58 pounds of pull required for ¾ ton model capacity
- Forged upper and lower hooks with latches standard
- Free wheeling for fast and easy attachment to load
- Upper and lower Latchlok hooks available for all capacities
- Optional Load Limiter protection device stops transmission of lever forces protecting against dangerous overload
- Optional anchor sling simplifies attachment to allow anchor hook to swivel in tight space applications (¾ & 1½ ton units only)
- Optional Load Sentry warns of overload condition
- Optional zinc-plated chain available
- Unlimited lift
- Lifetime warranty
- Metric rated
- Made in U.S.A.



Optional Load Limiter



Optional anchor sling (¾ and 1½ ton)



Latchlok type hook



¾ ton

Puller specifications - standard unit

Rated capacity* (tons)	Product code	Standard lift† (ft.)	Pull to lift full loads (lbs.)	Minimum distance between hooks (in.)	Lever length (in.)	Reeving	Hook throat openings (in.)	Approx. shipping weight (lbs.)
¾	4043	5	58	10¾	21¼	1	1½	16
1½	4045	5	89	14¼	21¼	1	1½	26
3	4047	5	95	16½	21¼	2	1¾	38
6	4050	5	96	21¾	21¼	4	1¾	73

† Can be supplied with lifts longer than 5 feet

Optional kits

Rated capacity* (tons)	Load Limiter		Load Sentry kit			Anchor sling kit	
	Product code	Approx. shipping weight (lbs.)	Product code	Lever length (in.)	Approx. shipping weight (lbs.)	Product code	Approx. shipping weight (lbs.)
¾	4190	8¼	4096	23¾	4½	4071	2
1½	4191	8¼	4098	23¾	4½	4072	4¾
3	4191	8¼	4098	23¾	4½	—	—
6	4191	8¼	4098	23¾	4½	—	—

Short handle puller

The CM Short Handle Puller is designed for easy operation, especially in hard to reach small spaces. It features:

- Easy one-hand operation
- Lever pull range is 45 to 62 pounds to lift full load
- Handle that rotates 360°, making it easy to operate in any position and in small spaces
- Tough yet lightweight aluminum construction and powder coat finish
- Hoistaloy hardened steel load chain for strength, long wear life and flexibility
- Free chaining for fast, easy attachment to load
- Forged upper and lower hooks with latches
- Simple construction with fewer parts for ease of maintenance
- Optional Load Limiter device protects against overload
- Lifetime warranty
- Made in U.S.A.



Specifications - Short handle puller

Rated capacity* (tons)	Product code	Standard lift (ft.)	Pull to lift full loads (lbs.)	Minimum distance between hooks (in.)	Lever length (in.)	Reeving	Hook throat openings (in.)	Approx. shipping weight (lbs.)
3/4	7300P	5	45	12 1/4	12	1	1 1/2	16
1 1/2	7320P	5	55	14 3/4	16 3/4	1	1 1/4	27
3	7330P	5	62	17 5/8	18 3/4	2	1 3/16	40

Specifications - Short handle puller without chain

Rated capacity* (tons)	Product code	Approx. shipping weight (lbs.)
3/4	7301P	12
1 1/2	7321P	21
3	7331P	28



Optional Load Limiter



Optional upper Latchlok Hook 3/4 - 1 1/2 ton



Optional anchor sling

Optional kits

	Product code	Approx. shipping weight (lbs.)	Rated capacity* (tons)
Load Limiter	7310P	1	3/4
	7311P	2	1 1/2-3
Anchor Sling	7309P	2	3/4
	7312P	3	1 1/2
Latchlok Hook	1001	2	3/4
	upper 1003	2	1 1/2
	1004	3	3
	lower 1001	2	3/4
	1003	2	1 1/2
	1005	3	3



Optional upper Latchlok Hook 3 ton

Rigger lever operated hoist

Designed for moderate commercial applications, this lightweight, compact tool stores easily and features:



- Flexible, non-binding CM load chain
- Forged upper and lower hooks with latches standard
- Free-wheeling chain for fast attachment
- Clover leaf chain guides and stripper seat chain in liftwheel reduce chance of jamming
- Unlimited lift by ordering any length chain
- Ratchet, driving pawl and holding pawl for load control
- One lever used to change from lifting to lowering and back to lifting
- Easy maintenance
- One-year warranty
- Metric rated
- Made in U.S.A.

*WARNING

Overloading and improper use can result in injury.

To avoid injury:

- Do not exceed working load limit, load rating capacity
- Do not use to lift people or loads over people.
- Use only alloy chain for overhead lifting.
- Read and follow all instructions.

Specifications

Rated capacity* (tons)	Product code	Standard lift† (ft.)	Reeving	Pull to lift full load (lbs.)	Minimum distance between hooks (in.)	Lever length (in.)	Hook throat openings (in.)	Shipping weight (lbs.)
¾	2301	5	1	98	10¾	15¾	1¼	8¾
1½	2302	5	2	98	12½	15¾	1¼	13¾

† Can be supplied with lifts longer than 5 feet

Wire rope lever hoists

Engineered for Reliable Operation

- Handle Designed for Overload Protection—Handle bends to warn of hazardous condition and prevent dangerous overload.
- Hooks with Hook Latches—360° swiveling hooks equipped with latches for positive load engagement.
- Meets ANSI Standard B30.21.
- Tested to 125% of Capacity.
- Made in U.S.A.

Portable and Durable

- Lightweight and Rugged—Special cast aluminum alloy housings.
- Heavy Duty Cable—Utilizes preformed and galvanized 7 x 19 (133 strand) extra flexible aircraft cable.
- Corrosion Resistant—All stainless steel springs and shafts.
- Reduced Wear—All rotating shafts are mounted on bronze bushings.

Easy to Operate

- Self-storing Cable Drum—Provides compact operation.
- Fast Cable Take-up—Winding wheel provided for quick take-up or positioning of cable.
- Easy Load Positioning—Utilizes a double interlocking pawl system for precise load adjustment.
- Positive Load Holding in All Environments—Provided by double interlocking pawl mechanism.
- Open Construction—Allows for easy cleaning and inspection.

Special Model Features

- All models are available with Bullard-type hooks.
- CM430CDPA equipped with oversized slip hooks— ideal for opening and closing boxcar doors.



*WARNING

Overloading and improper use can result in injury.

To avoid injury:

- Do not exceed working load limit, load rating capacity
- Do not use to lift people or loads over people.
- Use only alloy chain for overhead lifting.
- Read and follow all instructions.

Single & Double Line • 1000 - 4000 Lbs.

Specifications		SINGLE LINE			DOUBLE LINE			Cable Dia. x Length (in.) (Ft.)	Ship Weight (Lbs.)
Product Code	Model	Capacity (Lbs.)	Lift (Ft.)	Hook to Hook (Min.) (in.)	Capacity (Lbs.)	Lift (Ft.)	Hook to Hook (Min.) (in.)		
04601W	115SA	1000	13¾	19	—	—	—	¾" x 16	8¾
04602W	115DA	1000	13½	21	2000	6½	27	¾" x 16	10½
04610W	505NA	1500	13	21	—	—	—	¼" x 15	9½
04611W	202WNA	1500	12½	21	3000	6	27	¼" x 15	11½
04620W	434WNA	1500	21½	22½	3000	10¼	28½	¼" x 24	13¼
04621W	430CDPA	1500	21½	25	3000	10¼	33½	¼" x 24	16
04631W	404WNA	2000	12½	22½	4000	6	28½	9/32" x 15	13½