

# Lifting/Spreader Beams Application

## LOAD INFORMATION:

Describe load: \_\_\_\_\_

Maximum weight: \_\_\_\_\_

Number of pickup points: \_\_\_\_\_

Distance between (spacing) pickup points: \_\_\_\_\_  
 \_\_\_\_\_

Is load center of gravity centered between outer pick points?  Yes  No

If no, specify location in reference to pick points (attach a diagram if necessary):  
 \_\_\_\_\_  
 \_\_\_\_\_

What type of attachment to the load?

Shackles  Swivel Hooks  Lifting Slings  Other (specify) \_\_\_\_\_

Describe specific requirements: \_\_\_\_\_  
 \_\_\_\_\_

## CRANE INFORMATION:

Approximate distance between load and crane:  
 \_\_\_\_\_

### Dual crane hoist information

Distance between: \_\_\_\_\_

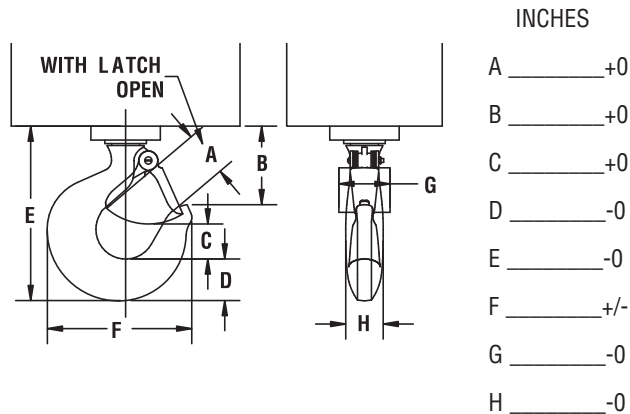
### Single crane hoist information

Same capacity?  Yes  No

Capacity: \_\_\_\_\_

If no, specify capacities: \_\_\_\_\_

## CRANE HOOK DATA:



Contact: \_\_\_\_\_

Company: \_\_\_\_\_

Address: \_\_\_\_\_

City, State, Zip: \_\_\_\_\_

Phone: \_\_\_\_\_

Fax: \_\_\_\_\_

Email: \_\_\_\_\_

### Measurement Tolerances

+0 = Measurement should be no larger but can be smaller than actual.

-0 = Measurement should be no smaller but can be larger than actual.

+/- = Measurement can be larger or smaller than actual.