



BTA
Bar Tong Adjustable



CUSTOM TONGS AVAILABLE

Our Engineering team can assist you with designing a product to meet your specific lifting requirements.





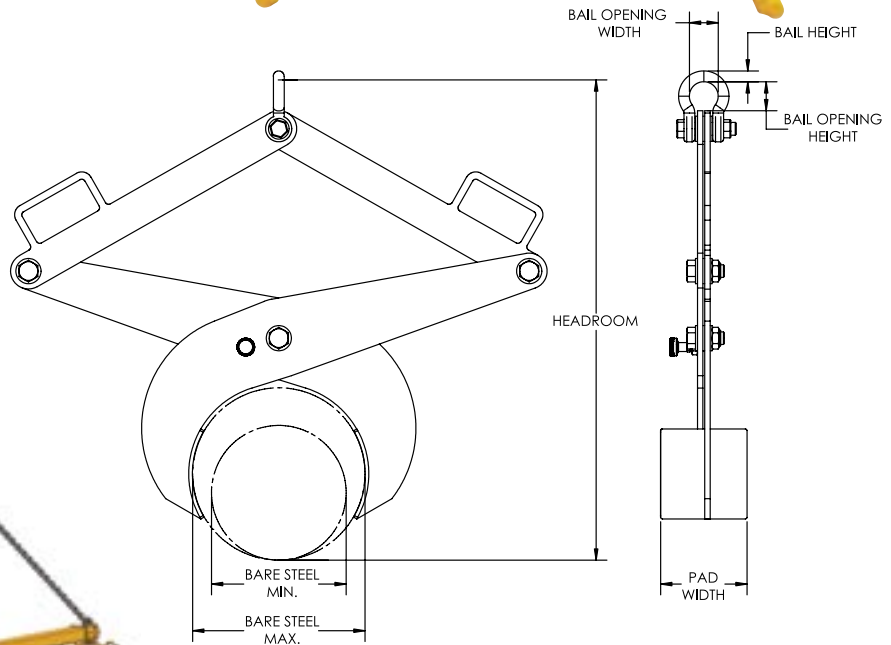
BAR TONG ADJUSTABLE

FEATURES

- This style of adjustable diameter tong is ideal for lifting round bars, cast or steel pipe of various diameters.
- Hold open latch supplied on all 1 ton standard tongs.
- Can be supplied with optional replaceable urethane pads for additional load protection.
- The load must be balanced during the lift.
- Can be used in pairs attached to a lifting/spreader beam to handle longer loads.
- Engineered and manufactured to ASME B30.20 & BTH-1 Design Category B Service Class 2.
- **Proof-Tested to 125% capacity and certificates supplied at No Additional Charge.**

OPTIONS

- Replaceable urethane pads
- Hold open latch
- Higher capacities available



TONGS

Model #	Capacity (US Tons)*	Dimensions (Inches)										Weight (Lbs.)
		Bare Steel Range Min	Bare Steel Range Max	Urethane Pad Range Min	Urethane Pad Range Max	Head-room Max	Head-room Min	Pad Width	Bail Height	Bail Opening Width	Bail Opening Height	
15 BTA-1/2-2.5/4	1/2	2.5	4	1.75	3.25	15	13	2.25	0.63	1.69	1.69	10
15 BTA-1-4/7	1	4	7	3.25	6.25	24	21	5	0.63	1.69	1.69	25
15 BTA-1-7/12	1	7	12	6.25	11.25	38	34	6	0.75	2	2	55
BTA-1-10/15	1	10	15	9.25	14.25	35	25	6	0.75	2.25	3.25	120
BTA-1-15/20	1	15	20	14.25	19.25	42	31	8	0.75	2.25	3.25	210

* 1 US Ton = 2,000 Lbs