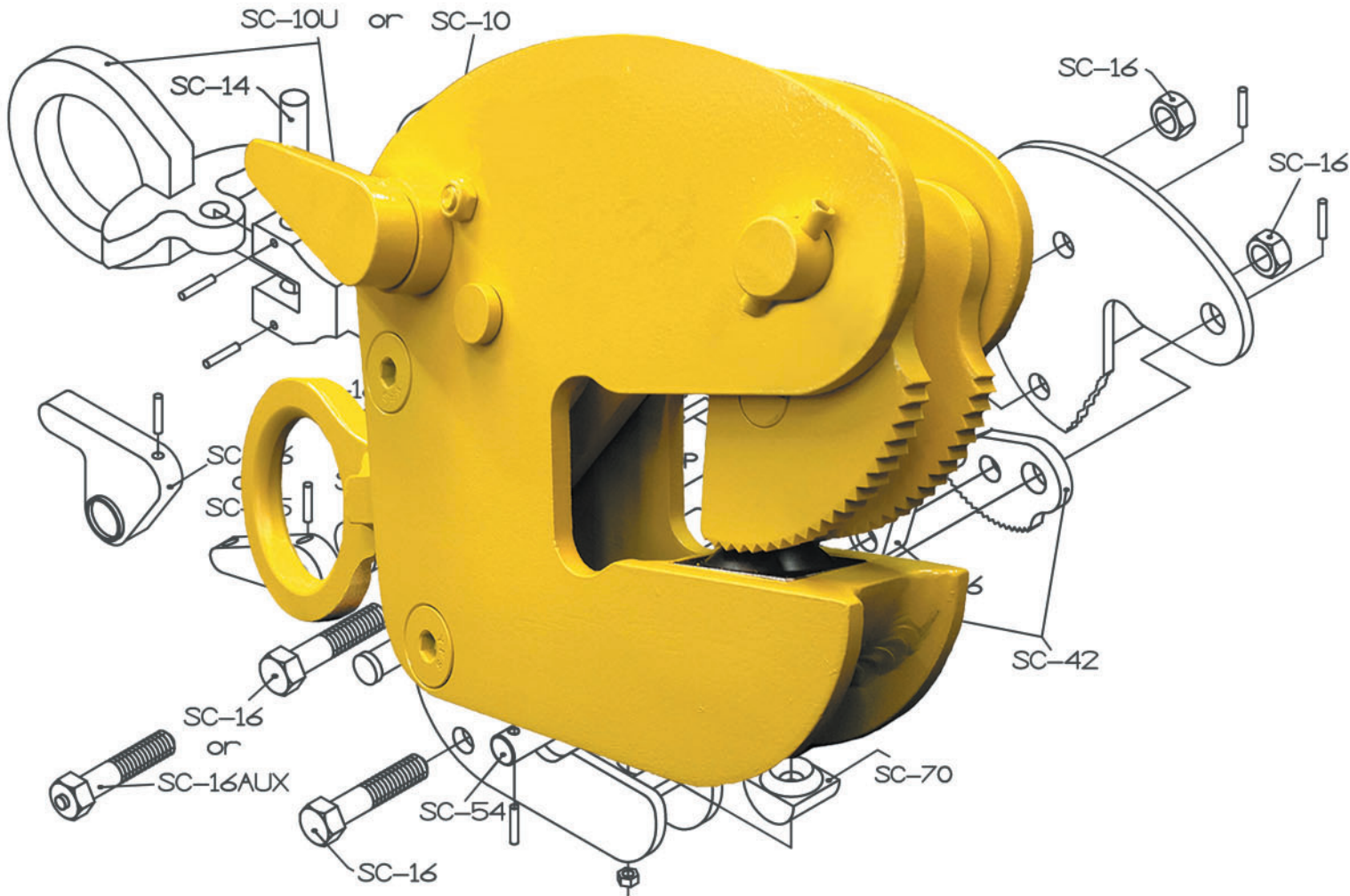




SAFETY CLAMPS, INC.

Home of the "Big Bite" Lifting Clamps

1.800.456.2809



PRODUCT CATALOG

PROUDLY MADE IN THE USA

www.safetyclamps.com



Effective January 1, 2020

SAFETY CLAMPS, INC. - WE'RE NOT JUST ANOTHER CLAMP COMPANY.

Safety Clamps have been American made and owned for over 50 years. We offer a diverse selection of clamps at affordable prices and quick delivery. Take a look at our list of clamp features to see why you should be stocking Safety Clamps today!

Safety Clamps are rated to lift material with a hardness up to 450 Brinell

Wide Jaw Openings - 2 to 3 times larger than other brands

Lower up front clamp cost and more diverse lifts with one clamp - saves operator change out time. Our 1/2 ton Model VL Safety Clamp can lift material from 0" - 1 3/8" thick. You would have to buy 3 clamps of another brand to lift this range: 0 - 3/4", 1/2 - 1", 3/4 - 1 1/4" and they still have not matched the capability of Safety Clamps.

3 Gripping Points

Safety Clamps' unique design provides two upper grippers and one lower gripping pad on our 2 ton and larger capacity clamps. This 3 point grip system provides for a more secure lift and longer gripper life.

Remote Release

Our remote release lock handle is a standard feature on all locking Safety Clamps. By attaching a tag line to the lock handle, the operator is able to lock open the clamp from a distance when the load is at rest and secured.

Replacement Parts are interchangeable between most Safety Clamps' Models

Replacement parts and repair kits are interchangeable between most Safety Clamps' models within a rated capacity. This includes most vertical lifting clamps models, all beam clamp models, and the HL-Lock model. Save money and space with less parts inventory!

Repairs & Testing

Each clamp manufactured by Safety Clamps, Inc. is load tested to 300% its maximum rated capacity - highest in the industry! A test certificate is furnished with every new and recertified clamp.

We have a repair facility to handle all your Safety Clamps inspections and repairs, including semi-annual and annual recertification based on your needs.

Other Features:

Stainless Serrated Grippers are available on most models

Prevents material contamination and are serrated for a more secure lift.

Non Marring Grippers available on all models that lift & transfer in horizontal position

Prevents material contamination and can also be used on material with a surface hardness in excess of 450 Brinell.

All products manufactured by Safety Clamps, Inc. meet the ANSI/ASME B30.20 standards.

All prices and conditions subject to change without notice.

No returns allowed without written consent.

All returns must have a Return Authorization Number and are subject to a 25% restocking fee.

Special design clamps are not returnable.

Table of Contents

Model	Description	Page
Vertical Lifting Clamps - Locking - 180° rotation		
VL	Locks open and closed, horizontal to vertical lift through 180° arc	2
VL with Universal Shackle	VL with a hinged lifting eye to allow for side loading up to 90°	4
VL-SJ	Compact design of Model VL for smaller jobs	6
VLC	Same features as Model VL except it locks closed only	7
PDS	Special clamp designed for shot blast operations	8
VLX	Extended lower wedge jaw for stacked plate	9
Vertical Lifting Clamps - Non Locking - Vertical Only		
V	Non locking Vertical Lift Only	10
Clamps for Structural Lifts - Locking - Horizontal to Vertical Lift		
VL-BC	Lift, transfer, and stack steel beams.	12
VL-Channel	Lift and transfer angles and bulb profiles for fabrication/erection.	14
Clamps for Structural Lifts - Non Locking - Vertical Only		
VBC	Lift, transfer, and stack steel beams.	13
Clamps for Structural Lifts - Locking		
SBC	Lift, transfer, and position girders, beams, other structural shapes	15
HBC	Split lower jaw to facilitate positioning of prefabricated sections	16
Horizontal Lifting Clamps for Plate - Locking		
HL-Lock	Locks open and closed to help secure and expedite lifts	17
Horizontal Lifting Clamps for Plate - Non Locking		
HL	Single Cam non locking clamps to lift single or stacked plates	18
HLW	Model HL clamp with Extra Wide Jaw Opening	19
HLD	Dual Cam non locking clamps to lift single or stacked plates	20
HLDW	Model HLD with Extra Wide Jaw Opening	21
PH	Plate Hook for lifting plate and plate bundles	22
Miscellaneous		
Operating Aids - Vertical		11
Operating Aids - Horizontal		23
Exploded Views		24
Parts		25
General Information		26

MODEL VL

1/2 through 20 Ton Rated Lift Capacities

Features:

Lifts from Horizontal to Vertical - 180° rotation

- Turn a single steel plate from horizontal to vertical to horizontal through a 180° arc.

Locks Open and Closed

- Locks open to facilitate loading and unloading clamp and protects grippers from damage.
- Locks closed onto material for a more secure lift.

Remote Release Lock Handle

- By attaching a tag line to the lock handle, the operator is able to lock open the clamp from a distance when the load is at rest and secured.
- **Also available:** Double Remote Locking Handle that also allows the operator to lock the clamp closed when loading the clamp from a distance using a second tag line.

3 Point Grip System

- Unique design has 2 upper grippers and 1 lower gripper on our 2 ton and larger capacities - provides for more stability and longer gripper life.

Rated to lift material with a surface hardness up to 450 Brinell

Wide Jaw Openings - 2 to 3 times larger than other brands

- Lower up front clamp cost, more diverse lifts, and less operator change out time.

Special Jaw Openings Available

- Fit the jaw opening to your material thickness range.
- Extend the grippers out for clearance.
- Shape the jaw opening to accommodate your lift.

Durable clamp design keeps parts enclosed and protected at all times

- Working parts remain inside the body when the clamp is locked closed and when the clamp is locked open.
- Protects parts from damage when rolling material over and when the clamp is stored.

Available with Stainless Serrated Grippers to prevent material contamination



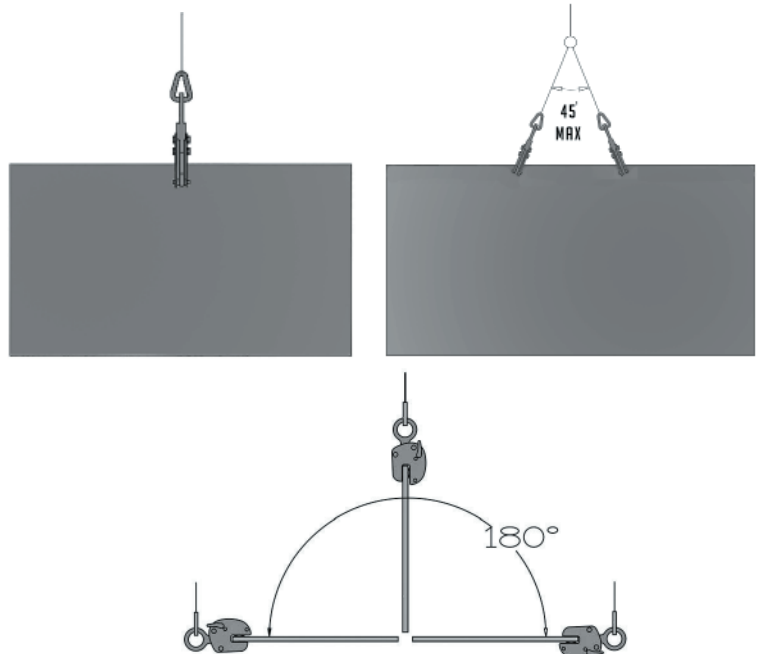
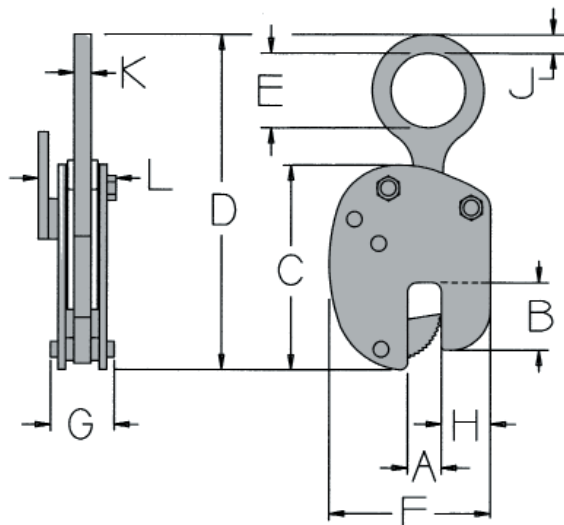
1/2 and 1 Ton VL



2 - 20 Ton VL

	1/2 & 1 Ton AVL	1/2 & 1 Ton VL	2 & 3 Tons VL		4 & 6 Tons VL			8 & 10 Tons VL		
PRT #	VL-0.5-A VL-1.0-A	VL-0.5-B VL-1.0-B	VL-2.0-A VL-3.0-A	VL-2.0-B VL-3.0-B	VL-4.0-A VL-6.0-A	VL-4.0-B VL-6.0-B	VL-4.0-C VL-6.0-C	VL-8.0-A VL-10.0-A	VL-8.0-B VL-10.0-B	VL-8.0-C VL-10.0-C
A	0 - 7/8"	0 - 1 3/8"	0 - 1 5/8"	1 1/2 - 2 3/4"	0 - 2 1/8"	2 - 3 3/4"	3 3/4 - 5 1/2"	0 - 2 5/8"	2 1/2 - 4 1/2"	4 1/2 - 6 1/2"
B	2 3/4"	2 3/4"	4 1/8"	4 1/8"	4 5/8"	4 5/8"	4 5/8"	5 3/8"	5 3/8"	5 3/8"
C	7"	7"	9 1/8"	9 1/8"	11 5/8"	11 5/8"	11 5/8"	13 1/4"	13 1/4"	13 1/4"
D MAX	11 1/2"	11 1/2"	15 1/4"	15 1/4"	19"	19"	19"	22 1/4"	22 1/4"	22 1/4"
E	2 1/4"	2 1/4"	3"	3"	3 1/2"	3 1/2"	3 1/2"	4"	4"	4"
F	5 5/8"	5 7/8"	8 3/8"	9 1/2"	10"	11 5/8"	13 1/2"	11 1/8"	13"	15 1/8"
G	2 1/2"	2 1/2"	3 3/8"	3 3/8"	4 1/4"	4 1/4"	4 1/4"	5"	5"	5"
H	1 3/4"	1 3/4"	2 1/2"	2 1/2"	2 3/4"	2 3/4"	2 3/4"	3 5/8"	3 5/8"	3 5/8"
J	1/2"	1/2"	3/4"	3/4"	1"	1"	1"	1 1/8"	1 1/8"	1 1/8"
K	1/2"	1/2"	5/8"	5/8"	3/4"	3/4"	3/4"	1"	1"	1"
L	3"	3"	4"	4"	5"	5"	5"	5 5/8"	5 5/8"	5 5/8"
WT	1/2T/9 lbs. 1T/10 lbs.	1/2T/9 lbs. 1T/10 lbs.	2T/22 lbs. 3T/24 lbs.	2T/23 lbs. 3T/26 lbs.	4T/42 lbs. 6T/45 lbs.	4T/44 lbs. 6T/47 lbs.	4T/46 lbs. 6T/49 lbs.	8T/65 lbs. 10T/71 lbs.	8T/67 lbs. 10T/74 lbs.	8T/69 lbs. 10T/77 lbs.

	12 Tons VL			16 Tons VL			20 Tons VL		
PRT #	VL-12.0-A	VL-12.0-B	VL-12.0-C	VL-16.0-A	VL-16.0-B	VL-16.0-C	VL-20.0-A	VL-20.0-B	VL-20.0-C
A	1/2 - 3 1/8"	3 - 5 1/4"	5 - 7 1/4"	1/2 - 3 1/2"	3 1/4 - 5 3/4"	5 1/2 - 8"	1/2 - 4 1/4"	4 - 7"	7 - 10"
B	6 1/4"	6 1/4"	6 1/4"	8 3/8"	8 3/8"	8 3/8"	8 3/8"	8 3/8"	8 3/8"
C	16 3/8"	16 3/8"	16 3/8"	21 1/2"	21 1/2"	21 1/2"	21 1/2"	21 1/2"	21 1/2"
D MAX	25 3/8"	25 3/8"	25 3/8"	33 1/4"	33 1/4"	33 1/4"	34 3/8"	34 3/8"	34 3/8"
E	4"	4"	4	5 5/8"	5 5/8"	5 5/8"	5 5/8"	5 5/8"	5 5/8"
F	12 1/2"	14 5/8"	16 5/8"	18 1/2"	20 7/8"	23"	19"	21 3/4"	24 3/4"
G	6"	6"	6"	7"	7"	7"	6 1/8"	6 1/8"	6 1/8"
H	3 3/8"	3 3/8"	3 3/8"	5 1/8"	5 1/8"	5 1/8"	5 1/8"	5 1/8"	5 1/8"
J	1 5/8"	1 5/8"	1 5/8"	2"	2"	2"	2"	2"	2"
K	1"	1"	1"	1 1/2"	1 1/2"	1 1/2"	1 1/2"	1 1/2"	1 1/2"
L	7 1/8"	7 1/8"	7 1/8"	8 5/8"	8 5/8"	8 5/8"	8 5/8"	8 5/8"	8 5/8"
WT	112 lbs.	116 lbs.	120 lbs.	276 lbs.	290 lbs.	302 lbs.	292 lbs.	304 lbs.	316 lbs.



MODEL VL WITH UNIVERSAL SHACKLE

1/2 through 20 Ton Rated Lift Capacities

Features:

The Model VL with a Universal Lifting Shackle

- Allows for side loading of the lifting shackle up to 90°.
- Rated lift capacity lowers as the angle of the pull increases (refer to Figure A).

Lifts from Horizontal to Vertical - 180° rotation

- Turn a single steel plate from horizontal to vertical to horizontal through a 180° arc.

Locks Open and Closed

- Locks open to facilitate loading and unloading clamp and protects grippers from damage.
- Locks closed onto material for a more secure lift.

Remote Release Lock Handle

- By attaching a tag line to the lock handle, the operator is able to lock open the clamp from a distance when the load is at rest and secured.

3 Point Grip System

- Unique design has 2 upper grippers and 1 lower gripper on our 2 ton and larger capacities - provides for more stability and longer gripper life.

Rated to lift material with a surface hardness up to 450 Brinell

Wide Jaw Openings - 2 to 3 times larger than other brands

- Lower up front clamp cost, more diverse lifts, and less operator change out time.

Special Jaw Openings Available

- Fit the jaw opening to your material thickness range.
- Extend the grippers out for clearance.
- Shape the jaw opening to accommodate your lift.

Durable clamp design keeps parts enclosed and protected at all times

- Working parts remain inside the body when the clamp is locked closed and when the clamp is locked open.
- Protects parts from damage when rolling material over and when the clamp is stored.

Available with Stainless Serrated Grippers to prevent material contamination

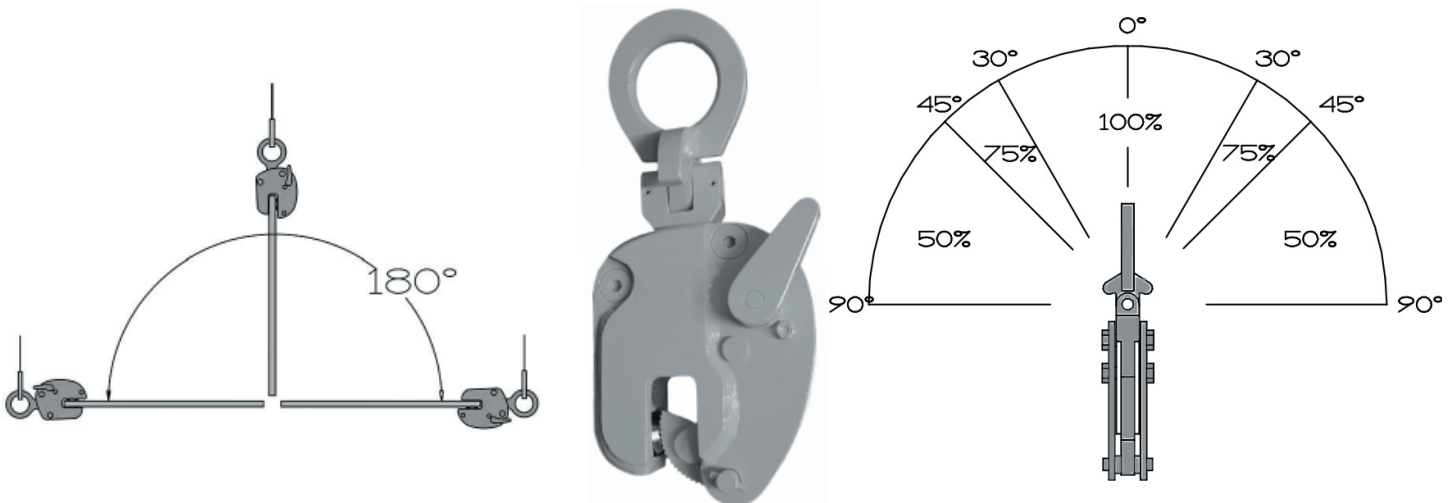
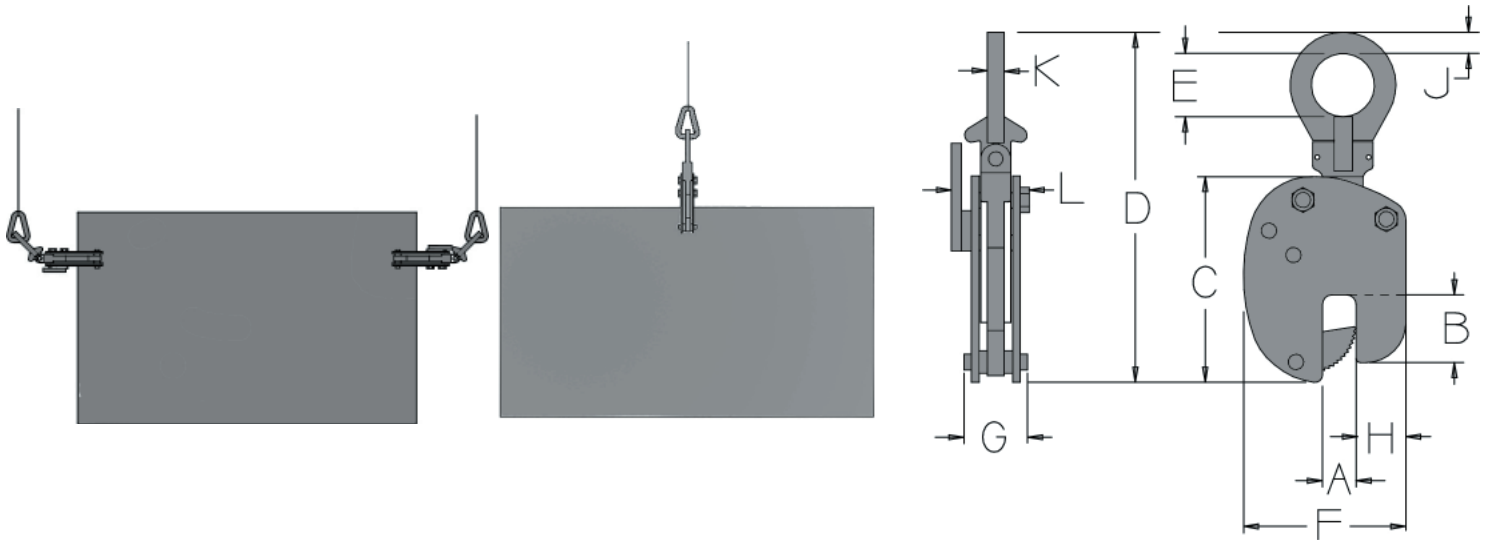


Figure A

	1/2 & 1 Ton AVL-Univ	1/2 & 1 Ton VL-Univ	2 & 3 Tons VL-Univ		4 & 6 Tons VL-Univ			8 & 10 Tons VL-Univ		
PRT #	VL-U-0.5-A VL-U-1.0-A	VL-U-0.5-B VL-U-1.0-B	VL-U-2.0-A VL-U-3.0-A	VL-U-2.0-B VL-U-3.0-B	VL-U-4.0-A VL-U-6.0-A	VL-U-4.0-B VL-U-6.0-B	VL-U-4.0-C VL-U-6.0-C	VL-U-8.0-A VL-U-10.0-A	VL-U-8.0-B VL-U-10.0-B	VL-U-8.0-C VL-U-10.0-C
A	0 - 7/8"	0 - 1 3/8"	0 - 1 5/8"	1 1/2 - 2 3/4"	0 - 2 1/8"	2 - 3 3/4"	3 3/4 - 5 1/2"	0 - 2 5/8"	2 1/2 - 4 1/2"	4 1/2 - 6 1/2"
B	2 3/4"	2 3/4"	4 1/8"	4 1/8"	4 5/8"	4 5/8"	4 5/8"	5 3/8"	5 3/8"	5 3/8"
C	7"	7"	9 1/8"	9 1/8"	11 5/8"	11 5/8"	11 5/8"	13 1/4"	13 1/4"	13 1/4"
D MAX	13"	13"	17 3/8"	17 3/8"	21 3/8"	21 3/8"	21 3/8"	24 3/8"	24 3/8"	24 3/8"
E	2 1/4"	2 1/4"	3"	3"	3 1/2"	3 1/2"	3 1/2"	4"	4"	4"
F	5 5/8"	5 7/8"	8 3/8"	9 1/2"	10"	11 5/8"	13 1/2"	11 1/8"	13"	15 1/8"
G	2 1/2"	2 1/2"	3 3/8"	3 3/8"	4 1/4"	4 1/4"	4 1/4"	5"	5"	5"
H	1 3/4"	1 3/4"	2 1/2"	2 1/2"	2 3/4"	2 3/4"	2 3/4"	3 5/8"	3 5/8"	3 5/8"
J	1/2"	1/2"	3/4"	3/4"	1"	1"	1"	1 1/8"	1 1/8"	1 1/8"
K	1/2"	1/2"	5/8"	5/8"	3/4"	3/4"	3/4"	1"	1"	1"
L	3"	3"	4"	4"	5"	5"	5"	5 5/8"	5 5/8"	5 5/8"
WT	1/2T/11 lbs. 1T/12 lbs.	1/2T/11 lbs. 1T/12 lbs.	2T/26 lbs. 3T/28 lbs.	2T/28 lbs. 3T/29 lbs.	4T/45 lbs. 6T/48 lbs.	4T/48 lbs. 6T/52 lbs.	4T/52 lbs. 6T/56 lbs.	8T/78 lbs. 10T/80 lbs.	8T/80 lbs. 10T/82 lbs.	8T/82 lbs. 10T/85 lbs.

	12 Tons VL-Univ			16 Tons VL-Univ			20 Tons VL-Univ		
PRT #	VL-U-12.0-A	VL-U-12.0-B	VL-U-12.0-C	VL-U-16.0-A	VL-U-16.0-B	VL-U-16.0-C	VL-U-20.0-A	VL-U-20.0-B	VL-U-20.0-C
A	1/2 - 3 1/8"	3 - 5 1/4"	5 - 7 1/4"	1/2 - 3 1/2"	3 1/4 - 5 3/4"	5 1/2 - 8"	1/2 - 4 1/4"	4 - 7"	7 - 10"
B	6 1/4"	6 1/4"	6 1/4"	8 3/8"	8 3/8"	8 3/8"	8 3/8"	8 3/8"	8 3/8"
C	16 3/8"	16 3/8"	16 3/8"	21 1/2"	21 1/2"	21 1/2"	21 1/2"	21 1/2"	21 1/2"
D MAX	30 3/4"	30 3/4"	30 3/4"	38 3/8"	38 3/8"	38 3/8"	39 3/8"	39 3/8"	39 3/8"
E	4"	4"	4"	5 5/8"	5 5/8"	5 5/8"	5 5/8"	5 5/8"	5 5/8"
F	12 1/2"	14 5/8"	16 5/8"	18 1/2"	20 7/8"	23"	19"	21 3/4"	24 3/4"
G	6"	6"	6"	7"	7"	7"	6 1/8"	6 1/8"	6 1/8"
H	3 3/8"	3 3/8"	3 3/8"	5 1/8"	5 1/8"	5 1/8"	5 1/8"	5 1/8"	5 1/8"
J	1 5/8"	1 5/8"	1 5/8"	2"	2"	2"	2"	2"	2"
K	1"	1"	1"	1 1/2"	1 1/2"	1 1/2"	1 1/2"	1 1/2"	1 1/2"
L	7 1/8"	7 1/8"	7 1/8"	8 5/8"	8 5/8"	8 5/8"	8 5/8"	8 5/8"	8 5/8"
WT	118 lbs.	122 lbs.	126 lbs.	310 lbs.	325 lbs.	348 lbs.	320 lbs.	340 lbs.	360 lbs.



MODEL VL-SJ

1/2, 1, and 2 Ton Rated Lift Capacities



Features:

Compact Lighter Weight Clamp designed to lift smaller objects with big clamp features

Lifts from Horizontal to Vertical - 180° rotation

- Turn a single steel plate from horizontal to vertical to horizontal through a 180° arc.

Locks Open and Closed

- Locks open to facilitate loading and unloading clamp and protects grippers from damage.
- Locks closed onto material for a more secure lift.

Remote Release Lock Handle

- By attaching a tag line to the lock handle, the operator is able to lock open the clamp from a distance when the load is at rest and secured.

Rated to lift material with a surface hardness up to 450 Brinell

- Also available with Stainless Serrated Grippers to prevent material contamination.

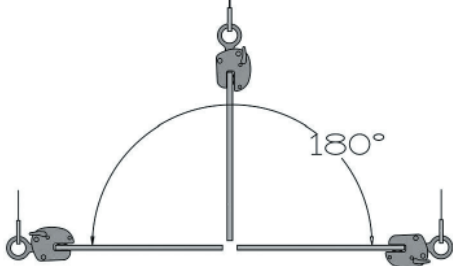
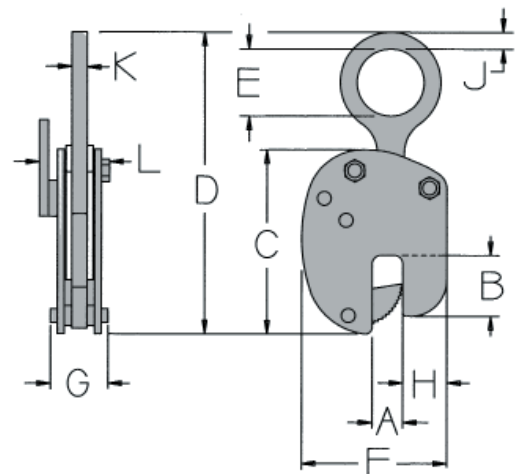
Special Jaw Openings Available

- Fit the jaw opening to your material thickness range.
- Extend the grippers out for clearance.
- Shape the jaw opening to accommodate your lift.

Durable clamp design keeps parts enclosed and protected at all times

- Working parts remain inside the body when the clamp is locked closed and locked open.
- Protects parts from damage when rolling material over and when the clamp is stored.

	1/2 Ton VL-SJ	1 Ton VL-SJ	2 Tons VL-SJ
PRT #	VLSJ-0.5-A	VLSJ-1.0-A	VLSJ-2.0-A
A	0 - 7/8"	0 - 7/8"	0 - 1"
B	2 1/8"	2 1/8"	2 1/2"
C	6"	6"	7"
D MAX	8 3/4"	8 3/4"	11 3/8"
E	1 1/2"	1 1/2"	2 1/4"
F	5 3/8"	5 3/8"	5 3/4"
G	2 1/2"	2 1/2"	2 5/8"
H	1 1/2"	1 1/2"	1 3/4"
J	1/2"	1/2"	5/8"
K	1/2"	1/2"	1/2"
L	2 3/4"	2 3/4"	3 1/8"
WT	5 lbs.	6 lbs.	11 lbs.



MODEL VLC

1/2 through 6 Ton Rated Lift Capacities



Features:

Same features as Model VL except it Locks Closed Only

- Requires operator to manually hold clamp in “open” position when loading and unloading the clamp and locks closed onto material for a more secure lift.

Lifts from Horizontal to Vertical - 180° rotation

- Turn a single steel plate from horizontal to vertical to horizontal through a 180° arc.
- Similar models of other brands are vertical lift only.

Remote Release Lock Handle

- By attaching a tag line to the lock handle, the operator is able to open the clamp from a distance when the load is at rest and secured.

Rated to lift material with a surface hardness up to 450 Brinell

- Unique design has 2 upper grippers and 1 lower gripper on our 2 ton and larger capacities - provides for more stability and longer gripper life.
- Also available with Stainless Serrated Grippers to prevent material contamination.

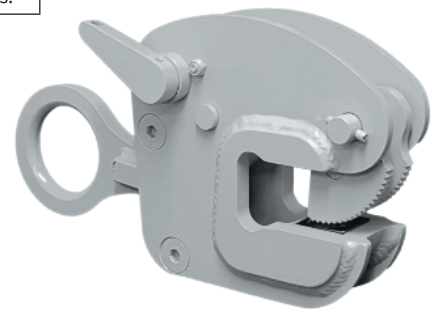
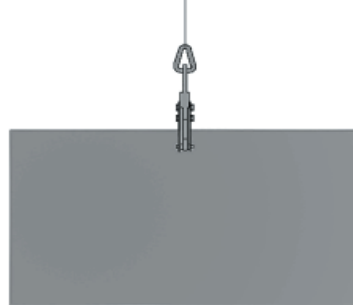
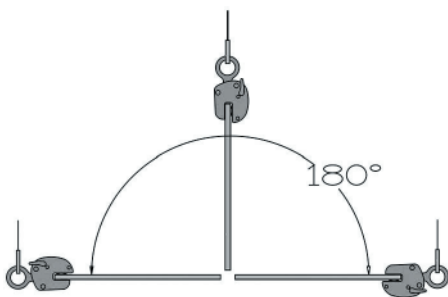
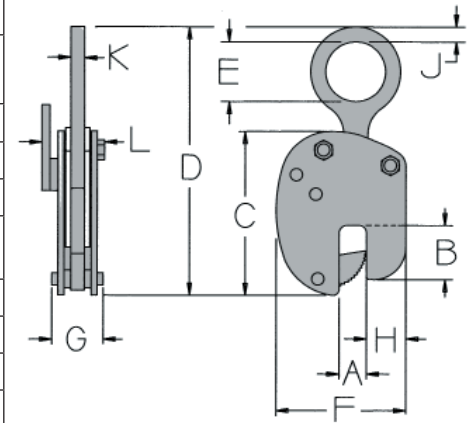
Wide Jaw Openings - 2 to 3 times larger than other brands

- Lower up front clamp cost, more diverse lifts, and less operator change out time.

Durable clamp design keeps parts enclosed and protected at all times

- Working parts remain inside the body when the clamp is opened or closed.
- Protects parts from damage when rolling material over and when the clamp is stored.

	1/2 & 1 Ton AVLC	1/2 & 1 Ton VLC	2 & 3 Tons VLC		4 & 6 Tons VLC		
PRT #	VLC-0.5-A VLC-1.0-A	VLC-0.5-B VLC-1.0-B	VLC-2.0-A VLC-3.0-A	VLC-2.0-B VLC-3.0-B	VLC-4.0-A VLC-6.0-A	VLC-4.0-B VLC-6.0-B	VLC-4.0-C VLC-6.0-C
A	0 - 7/8"	0 - 1 3/8"	0 - 1 5/8"	1 1/2 - 2 3/4"	0 - 2 1/8"	2 - 3 3/4"	3 3/4 - 5 1/2"
B	2 3/4"	2 3/4"	4 1/8"	4 1/8"	4 5/8"	4 5/8"	4 5/8"
C	7"	7"	9 1/8"	9 1/8"	11 5/8"	11 5/8"	11 5/8"
D MAX	11 1/2"	11 1/2"	15 1/4"	15 1/4"	19"	19"	19"
E	2 1/4"	2 1/4"	3"	3"	3 1/2"	3 1/2"	3 1/2"
F	5 5/8"	5 7/8"	8 3/8"	9 1/2"	10"	11 5/8"	13 1/2"
G	2 1/2"	2 1/2"	3 3/8"	3 3/8"	4 1/4"	4 1/4"	4 1/4"
H	1 3/4"	1 3/4"	2 1/2"	2 1/2"	2 3/4"	2 3/4"	2 3/4"
J	1/2"	1/2"	3/4"	3/4"	1"	1"	1"
K	1/2"	1/2"	5/8"	5/8"	3/4"	3/4"	3/4"
L	3"	3"	4"	4"	5"	5"	5"
WT	1/2T/9 lbs. 1T/10 lbs.	1/2T/9 lbs. 1T/10 lbs.	2T/22 lbs. 3T/24 lbs.	2T/23 lbs. 3T/26 lbs.	4T/42 lbs. 6T/45 lbs.	4T/44 lbs. 6T/47 lbs.	4T/46 lbs. 6T/49 lbs.



MODEL PDS

2 through 6 Ton Rated Lift Capacities

Features:

Special clamp designed for use in shot blasting applications

- Enclosed body made of high strength shock resistant steel.
- Working parts remain inside the body when clamp is locked closed and locked open.
- Protects working parts from blast media.
- Protects working parts from damage when rolling material over and when the clamp is stored.

Lifts from Horizontal to Vertical - 180° rotation

- Turn a single steel plate from horizontal to vertical to horizontal through a 180° arc.

Locks Open and Closed

- Locks open to facilitate loading and unloading clamp and protects grippers from damage.
- Locks closed onto material for a more secure lift.

Remote Release Lock Handle

- By attaching a tag line to the lock handle, the operator is able to lock open the clamp from a distance when the load is at rest and secured.

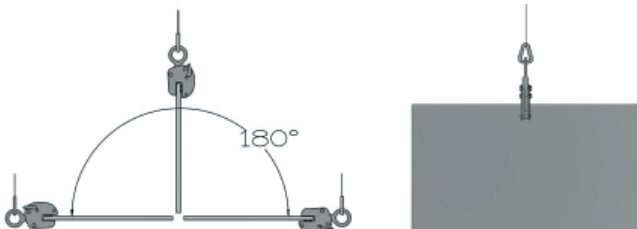
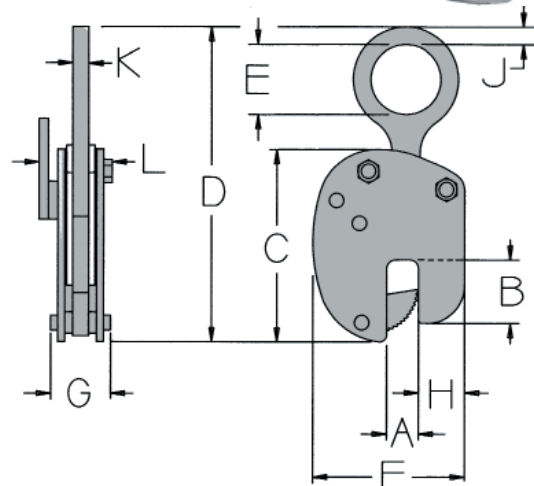
Rated to lift material with a surface hardness up to 450 Brinell

- Unique 3 point design has 2 upper grippers and 1 lower gripper for more stability and longer gripper life.

Wide Jaw Openings

- Special jaw openings available.

	2 Tons	3 Tons	4 Tons	6 Tons
PRT #	PDS-2.0-A	PDS-3.0-A	PDS-4.0-A	PDS-6.0-A
A	0 - 1 5/8"	0 - 1 5/8"	0 - 2 1/8"	0 - 2 1/8"
B	4 3/4"	4 3/4"	5 3/8"	5 3/8"
C	9 1/2"	9 1/2"	12 1/4"	12 1/4"
D MAX	15 1/4"	15 1/4"	19"	19"
E	3"	3"	3 1/2"	3 1/2"
F	9 1/8"	9 1/8"	11 1/8"	11 1/8"
G	3 7/8"	3 7/8"	4 3/4"	4 3/4"
H	3"	3"	3"	3"
J	3/4"	3/4"	1"	1"
K	5/8"	5/8"	3/4"	3/4"
L	4 1/8"	4 1/8"	5 1/8"	5 1/8"
WT	32 lbs.	34 lbs.	55 lbs.	57 lbs.



MODEL VLX

1/2 through 3 Ton Rated Lift Capacities



Features:

The Model VL with an Extended Wedge Shaped Lower Jaw

- Used to wedge the clamp between the top two plates of stacked steel.

Lifts from Horizontal to Vertical - 180° rotation

- Turn a single steel plate from horizontal to vertical to horizontal through a 180° arc.

Locks Open and Closed

- Locks open to facilitate loading and unloading clamp and protects grippers from damage.
- Locks closed onto material for a more secure lift.

Remote Release Lock Handle

- By attaching a tag line to the lock handle, the operator is able to lock open the clamp from a distance when the load is at rest and secured.

Rated to lift material with a surface hardness up to 450 Brinell

- Unique design has 2 upper grippers and 1 lower gripper on our 2 ton and larger capacities - provides for more stability and longer gripper life.

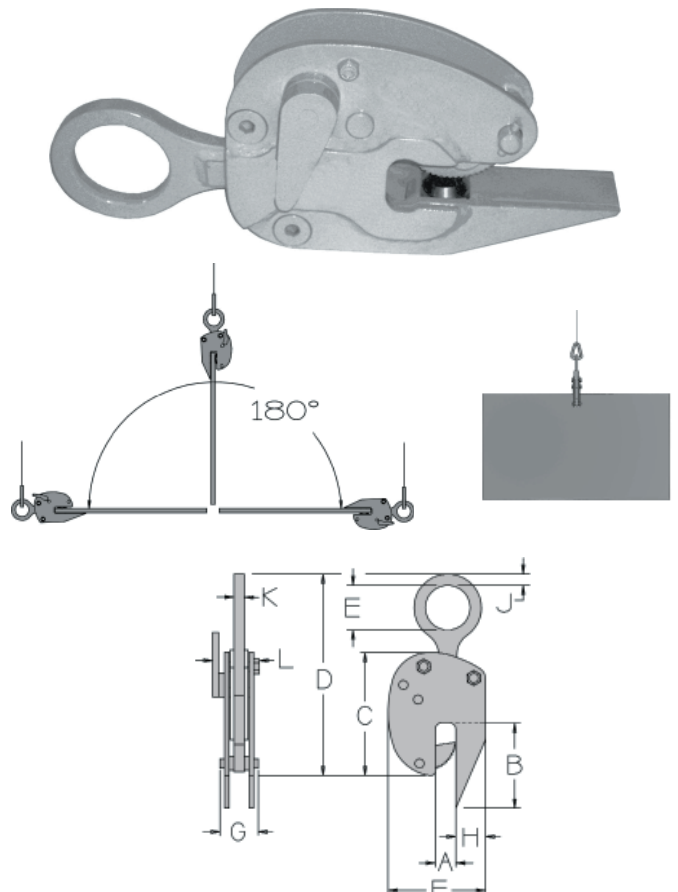
Wide Jaw Openings - 2 to 3 times larger than other brands

- Lower up front clamp cost, more diverse lifts, and less operator change out time.

Durable clamp design keeps parts enclosed and protected at all times

- Working parts remain inside the body when the clamp is locked closed and when the clamp is locked open.
- Protects parts from damage when rolling material over and when the clamp is stored.

	1/2 & 1 Ton AVLX	1/2 & 1 Ton VLX	2 & 3 Ton VLX
PRT #	VLX-0.5-A VLX-1.0-A	VLX-0.5-B VLX-1.0-B	VLX-2.0-A VLX-3.0-A
A	0 - 7/8"	0 - 1 3/8"	0 - 1 5/8"
B	5 1/2"	5 1/2"	7 1/8"
C	7"	7"	9 1/8"
D MAX	11 1/2"	11 1/2"	15"
E	2 1/4"	2 1/4"	3"
F	5 5/8"	6"	8 3/8"
G	2 1/8"	2 1/8"	2 7/8"
H	1 3/4"	1 3/4"	2 5/8"
J	1/2"	1/2"	3/4"
K	1/2"	1/2"	5/8"
L	3"	3"	4"
WT	1/2T/11 lbs. 1T/12 lbs.	1/2T/11 lbs. 1T/12 lbs.	2T/25 lbs. 3T/27 lbs.



MODEL V

1/2 through 6 Ton Rated Lift Capacities

Features:

Non Locking

Vertical Lift Only

- Lifts and transfers a single steel plate in a vertical position only.
- Do **Not** use for horizontal to vertical lifts.

Rated to lift material with a surface hardness up to 360 Brinell

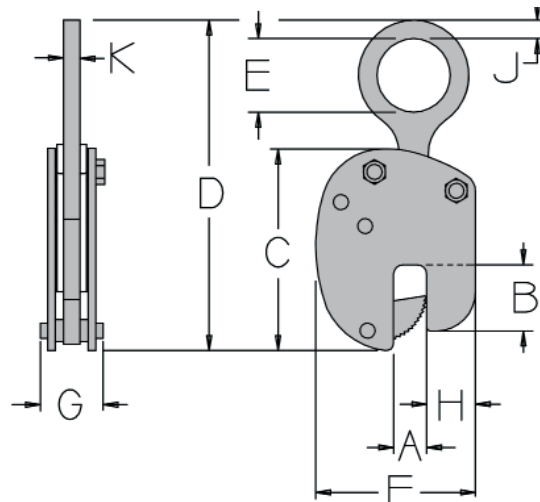
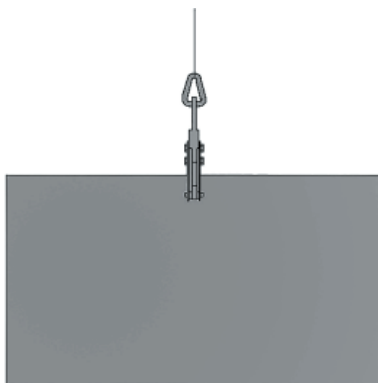
- Unique design has 2 upper grippers and 1 lower gripper on our 2 ton and larger capacities - provides for more stability and longer gripper life.

Wide Jaw Openings

Durable clamp design keeps parts enclosed and protected at all times

- Working parts remain inside the body when the clamp at all times.

	1/2 & 1 Ton AV	1/2 & 1 Ton V	2 & 3 Ton V	4 & 6 Ton V
PRT #	V-0.5-A V-1.0-A	V-0.5-B V-1.0-B	V-2.0-A V-3.0-A	V-4.0-A
A	0 - 7/8"	0 - 1 3/8"	0 - 1 5/8"	0 - 2 1/8"
B	2 5/8"	2 3/4"	4 1/8"	4 5/8"
C	6 7/8"	7"	9"	11 1/4"
D MAX	11 1/2"	11 1/2"	15 1/4"	19 1/8"
E	2 1/4"	2 1/4"	3"	3 1/2"
F	5 1/2"	5 7/8"	8 1/4"	9 3/4"
G	2 1/2"	2 1/8"	3 3/8"	4 1/4"
H	1 3/4"	1 3/4"	2 1/2"	2 3/4"
J	1/2"	1/2"	3/4"	1"
K	1/2"	1/2"	5/8"	3/4"
WT	1/2T / 7 lbs. 1T / 8 lbs.	1/2T / 8 lbs. 1T / 9 lbs.	2T / 20 lbs. 3T / 22 lbs.	4T / 41 lbs. 6T / 44 lbs.



OPERATING AIDS FOR VERTICAL LIFTING CLAMPS

Read and Understand the Operator's Manual before use.

Make sure the load to be lifted is properly balanced.

Always choose the proper model clamp and rated capacity for the lift.

Never exceed 10° side load with a vertical lifting clamp unless using the Model VL with a Universal Shackle.

Minimum rated capacity is 10 % of the maximum rated capacity of the clamp.

Ensure the grippers are properly engaging the material before making a lift.

Visual inspections should be performed before each lift.

Never lift more than one plate at a time.

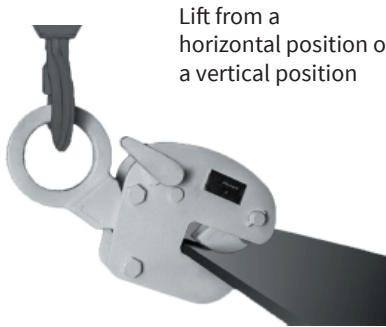
Do not begin lift until all personnel are clear of the lift area.

Do not lift with an open end hook.

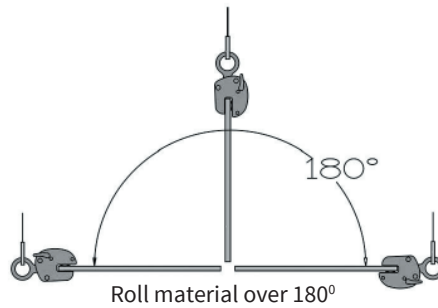
The operator must be positioned safely away from the material being lifted.

Do not use a clamp that has been overloaded, damaged, or altered in any way

VERTICAL LOCKING (VL) CLAMPS



Lift from a horizontal position or a vertical position

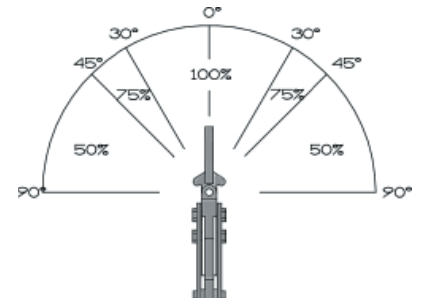


Vertical transfer only once material is lifted

VERTICAL LOCKING (VL) CLAMPS WITH UNIVERSAL SHACKLE

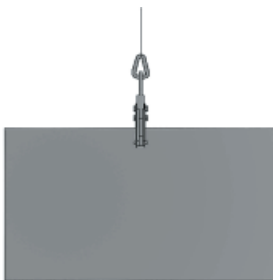


Designed to also lift material from the side



Maximum rated capacity is derated as the side angle of pull increases

VERTICAL LIFT AND TRANSFER ONLY



Model V
Non Locking



VL-BC



Model V

MODEL VL-BC

Structural Lift - Vertical Only

1, 2, and 4 Ton Rated Lift Capacities

Features:

Specially designed for lifting, transferring, and stacking beams in the “H” position when lifting eye is over the web

- Do **not** use to lift plate steel.

Vertical Lift Only

Locks Open and Closed

- Locks open to facilitate loading and unloading clamp and protects grippers from damage.
- Locks closed onto material for a more secure lift.

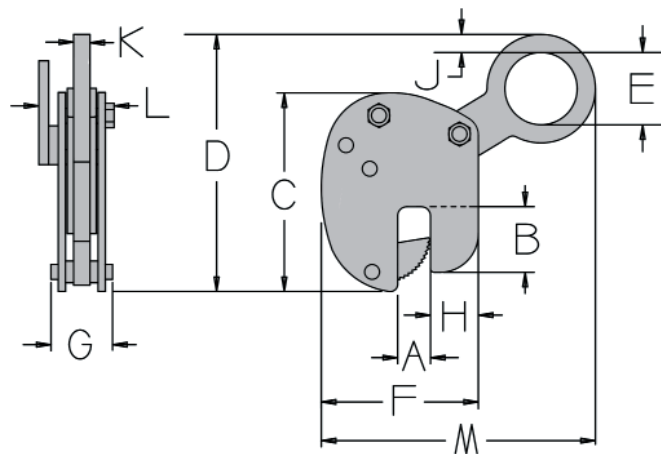
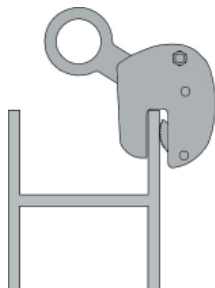
Remote Release Lock Handle

- By attaching a tag line to the lock handle, the operator is able to lock open the clamp from a distance when the load is at rest and secured.

Rated to lift material with a surface hardness up to 450 Brinell

- 2 & 4 ton lift capacities have dual upper gripping cams and a self-aligning lower gripping pad for more stability and longer gripper life.

	1 Ton	2 Ton	4 Ton
PRT #	VLBC-1.0-A	VLBC-2.0-A	VLBC-4.0-A
A	0 - 3/4”	0 - 1”	0 - 1 1/4”
B	2 3/8”	4 1/8”	4 5/8”
C	6 3/4”	9 1/4”	11 5/8”
D MAX	10 5/8”	12 7/8”	18”
E	2 1/2”	2 3/4”	4”
F	5 3/4”	10 7/8”	9 3/4”
G	2 1/2”	3 3/8”	4 1/4”
H	1 5/8”	2 1/2”	2 1/2”
J	5/8”	7/8”	1”
K	5/8”	3/4”	1”
L	3”	4”	5”
M MAX	10 1/2”	12 3/4”	17”
WT	10 lbs.	24 lbs.	47 lbs.



MODEL VBC

Structural Lift - Vertical Only - Non Locking

1, 2, and 4 Ton Rated Lift Capacities

Features:

Specially designed for lifting, transferring, and stacking beams in the “H” position when lifting eye is over the web

- Do **not** use to lift plate steel.

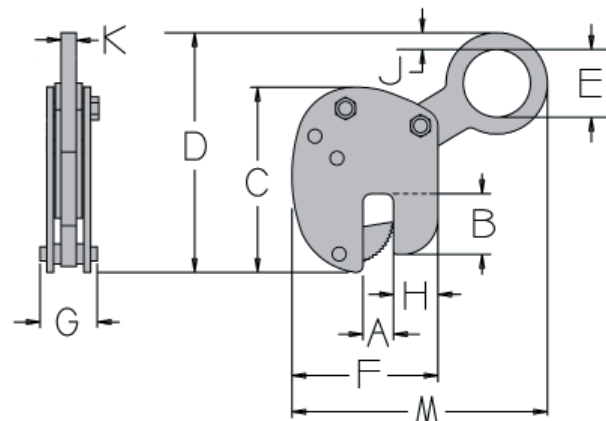
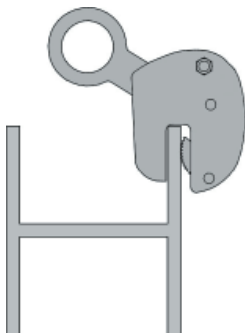
Vertical Lift Only

Non Locking

Rated to lift material with a surface hardness up to 450 Brinell

- 2 & 4 ton lift capacities have dual upper gripping cams and a self-aligning lower gripping pad for more stability and longer gripper life.

	1 Ton	2 Ton	4 Ton
PRT #	VBC-1.0-A	VBC-2.0-A	VBC-4.0-A
A	0 - 3/4"	0 - 1"	0 - 1 1/4"
B	2 3/8"	4 1/8"	4 5/8"
C	6 3/4"	9 1/4"	11 5/8"
D MAX	10 5/8"	12 7/8"	18"
E	2 1/2"	2 3/4"	4"
F	5 3/4"	10 7/8"	9 3/4"
G	2 1/2"	3 3/8"	4 1/4"
H	1 5/8"	2 1/2"	2 1/2"
J	5/8"	7/8"	1"
K	5/8"	3/4"	1"
M MAX	10 1/2"	12 3/4"	17"
WT	9 lbs.	22 lbs.	45 lbs.



MODEL VL-CHANNEL

Structural Lift

1, 2, and 4 Ton Rated Lift Capacities
Redesigned to lift a wider range of channel sizes.



Features:

Designed to lift and transfer angles and bulb profiles for fabrication and erection of steel

- Do **not** use to lift plate steel.

Lifts from Horizontal to Vertical - 180° rotation

Locks Open and Closed

- Locks open to facilitate loading and unloading clamp and protects grippers from damage.
- Locks closed onto material for a more secure lift.

Remote Release Lock Handle

- By attaching a tag line to the lock handle, the operator is able to lock open the clamp from a distance when the load is at rest and secured.

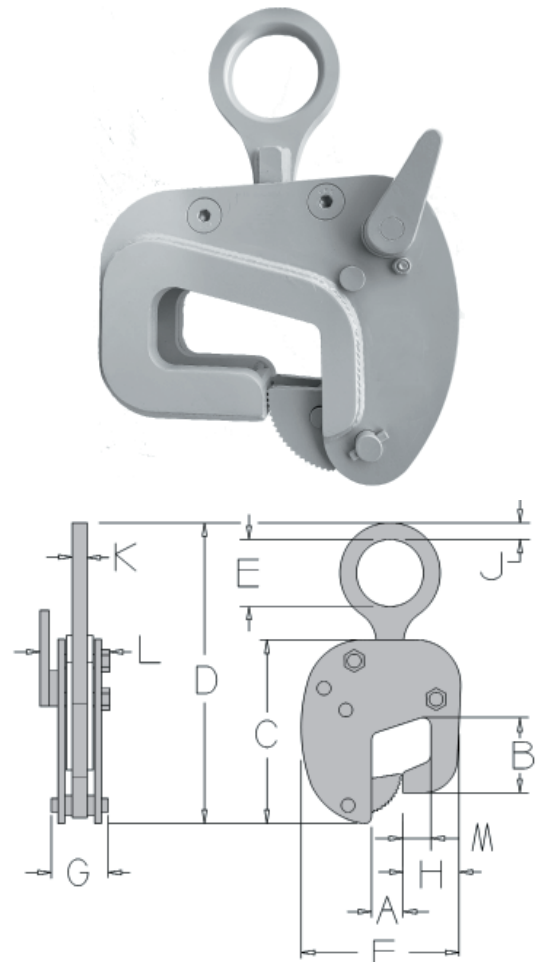
Rated to lift material with a surface hardness up to 450 Brinell

- 2 & 4 ton lift capacities have dual upper gripping cams for more stability and longer gripper life.

Optional Universal Shackle for side loading now available

Will design for other types of channel and/or angle

	1 Ton	2 Tons	4 Tons
PRT #	VL-CHANNEL-1.0-A	VL-CHANNEL-2.0-A	VL-CHANNEL-4.0-A
American Standard Channel Sizes	C3 X 4.1 to C9 X 20	C3 X 4.1 to C12 X 30	C3 X 4.1 to C15 X 50
A	0 - 1 3/8"	0 - 1 5/8"	0 - 2"
B	2 13/16"	4 1/8"	4 9/16"
C	7"	9 1/4"	11 5/8"
D MAX	11 1/2"	15 1/4"	18 7/8"
E	2 1/4"	3"	3 1/2"
F	7 13/16"	10 5/8"	12 3/8"
G	2 1/2"	3 3/8"	4 1/4"
H	3 3/4"	4 3/4"	5 1/4"
J	1/2"	3/4"	1"
K	1/2"	5/8"	3/4"
L	1 3/8"	4"	5"
M	2 1/2"	2 7/8"	3 1/4"
WT	12 lbs.	28 lbs.	48 lbs.



MODEL SBC

Structural Lift - Horizontal Only

1, 2, 4, and 8 Ton Rated Lift Capacities

Features:

Structural Beam Clamp designed to lift, transfer, and position beams, girders, and other structural shapes

Horizontal Lift Only

Locks Open and Closed

- Locks open to facilitate loading and unloading clamp and protects grippers from damage.
- Locks closed onto material for a more secure lift.

Remote Release Lock Handle

- By attaching a tag line to the lock handle, the operator is able to lock open the clamp from a distance when the load is at rest and secured.

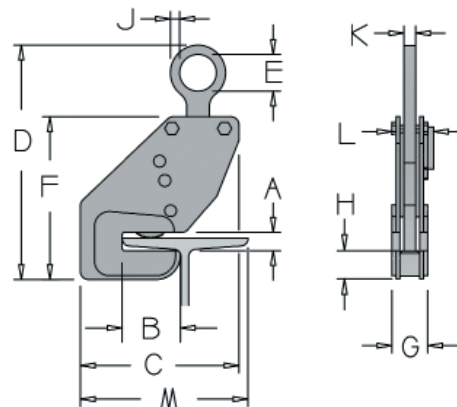
Rated to lift material with a surface hardness up to 450 Brinell

- Unique design has 2 upper grippers and 1 lower gripper on our 2 ton and larger capacities - provides for more stability and longer gripper life.
- Stainless serrated grippers or non marring grippers are also available.

Durable clamp design keeps parts enclosed and protected at all times

- Working parts remain inside the body when the clamp is locked closed and when the clamp is locked open.
- Protects parts from damage when in use and when the clamp is stored.

	1 Ton	2 Ton	4 Ton	8 Ton
PRT #	SBC-1.0-A	SBC-2.0-A	SBC-4.0-A	SBC-8.0-A
A	0 - 3/4"	0 - 1 1/4"	0 - 1 3/4"	0 - 2 1/4"
B	2 7/8"	5 5/8"	7 1/4"	9 3/4"
C	8 1/8"	12"	15 1/8"	20 1/8"
D MAX	12 1/2"	17"	20 1/4"	23 1/4"
E	2 1/4"	3"	3 1/2"	4"
F	8 1/2"	11 5/8"	13 7/8"	15 3/8"
G	2 1/2"	3 3/8"	4 1/4"	5"
H	1 3/4"	2 3/4"	2 3/4"	3 3/8"
J	1/2"	3/4"	1"	1 1/8"
K	1/2"	5/8"	3/4"	1"
L	3"	4"	5"	5 5/8"
M	3 - 8"	5 - 12"	7 - 14"	10 - 20"
WT	13 lbs.	35 lbs.	60 lbs.	115 lbs.



MODEL HBC

Structural Lift - Horizontal Only

Features:

Multipurpose Clamp with split lower jaw used to lift, transfer, and position structural shapes and prefabricated sections

Horizontal Lift Only

Locks Open and Closed

- Locks open to facilitate loading and unloading clamp and protects grippers from damage.
- Locks closed onto material for a more secure lift.

Remote Release Lock Handle

- By attaching a tag line to the lock handle, the operator is able to lock open the clamp from a distance when the load is at rest and secured.

Rated to lift material with a surface hardness up to 450 Brinell

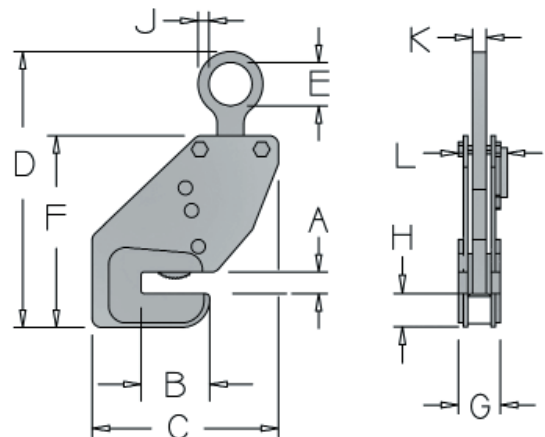
- 2, 4, & 8 ton lift capacities have dual upper gripping cams for more stability and longer gripper life.
- Stainless serrated or non marring grippers are also available.

Special Jaw Openings available upon request

Durable clamp design keeps parts enclosed and protected at all times

- Working parts remain inside the body when the clamp is locked closed and when the clamp is locked open.
- Protects parts from damage when in use and when the clamp is stored.

	1 Ton	2 Ton	4 Ton	8 Ton	12 Ton
PRT #	HBC-1.0-A	HBC-2.0-A	HBC-4.0-A	HBC-8.0-A	HBC-12.0-A
A	0 - 1"	0 - 1 1/4"	0 - 2"	0 - 2"	0 - 1 3/4"
B	2 7/8"	3 1/2"	4 3/4"	5"	5"
C	8 1/8"	12 3/8"	14 1/2"	16 3/4"	19 1/4"
D MAX	12 3/4"	16 1/4"	20 3/8"	23 1/4"	25 3/8"
E	2 1/4"	3"	3 1/2"	4"	4"
F	8 1/2"	11"	13 3/16"	15"	17"
G	2 1/2"	3 1/8"	3 3/4"	4 3/8"	5 3/4"
H	1 1/2"	2 1/4"	2 1/2"	3 1/2"	3 5/8"
J	1/2"	3/4"	1"	1 1/8"	1 5/8"
K	1/2"	5/8"	3/4"	1"	1"
L	3 3/4"	4 3/4"	5 5/8"	6 3/8"	6 7/8"
WT	12 lbs.	30 lbs.	52 lbs.	80 lbs.	132 lbs.



MODEL HL-LOCK

Plate Clamps - Horizontal Only

2 ton/pair through 8 ton/pair Rated Lift Capacities

Features:

Locking Horizontal Lifting Clamps for Plate Steel

- Used in pairs or any multiple arrangement to lift and transfer a single plate or stacked plates in a horizontal position only.

Horizontal Lift Only

Locks Open and Closed

- Locks open to facilitate loading and unloading clamp and protects grippers from damage.
- Locks closed onto material for a more secure lift.

Remote Release Lock Handle

- By attaching a tag line to the lock handle, the operator is able to lock open the clamp from a distance when the load is at rest and secured.

Rated to lift material with a surface hardness up to 450 Brinell

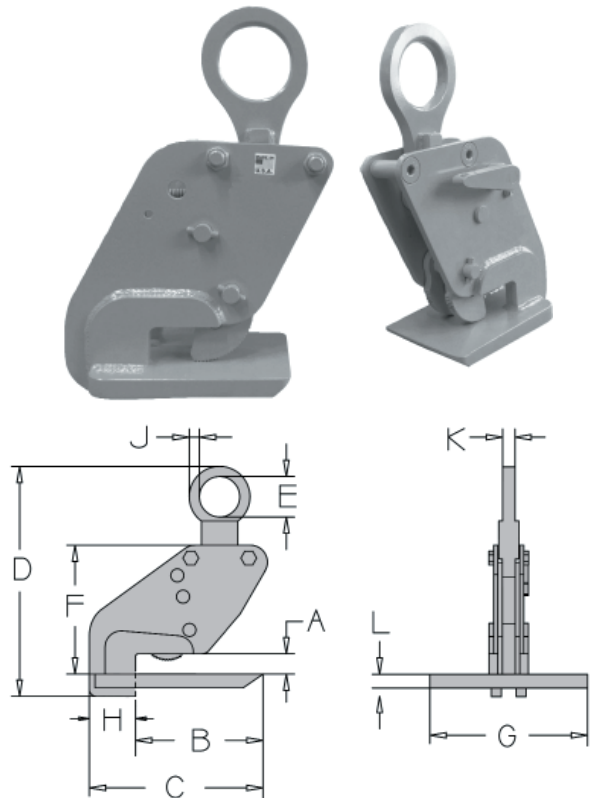
- Stainless serrated or non marring grippers are also available.

Special Jaw Openings available upon request

Durable clamp design keeps parts enclosed and protected at all times

- Working parts remain inside the body when the clamp is locked closed and when the clamp is locked open.
- Protects parts from damage when in use and when the clamp is stored.

	2 Tons / Pair	4 Tons / Pair	6 Tons / Pair	8 Tons / Pair
PRT #	HL-LOCK-2.0-A	HL-LOCK-4.0-A	HL-LOCK-6.0-A	HL-LOCK-8.0-A
A	0 - 1"	0 - 1 1/2"	0 - 1 1/2"	0 - 2"
B	5 1/2"	6 1/2"	6 1/2"	7 1/4"
C	8 3/8"	9 1/2"	9 1/2"	11 1/4"
D MAX	11 3/4"	15 3/8"	15 1/2"	19 5/8"
E	2 1/4"	3"	3"	3 1/2"
F	7"	8 1/2"	8 1/2"	11 3/8"
G	4"	5"	5"	6 1/8"
H	3"	3"	3"	4"
J	1/2"	3/4"	3/4"	1"
K	1/2"	5/8"	5/8"	3/4"
L	1/2"	5/8"	3/4"	1"
WT	31 lbs./Pair	58 lbs./Pair	68 lbs./Pair	95 lbs./Pair



Refer to page 22 for detailed information on proper side load angles, as well as other operating guidelines.

MODEL HL

Plate Clamps - Horizontal Lift Only

1/2 Ton/pair through 8 Ton/pair Rated Lift Capacities

Features:

Horizontal Lifting Clamps for plate steel

- Used in pairs or any multiple arrangement to lift and transfer a single plate or stacked plates in a horizontal position only.

Non-locking

Rated to lift material with a surface hardness up to 450 Brinell

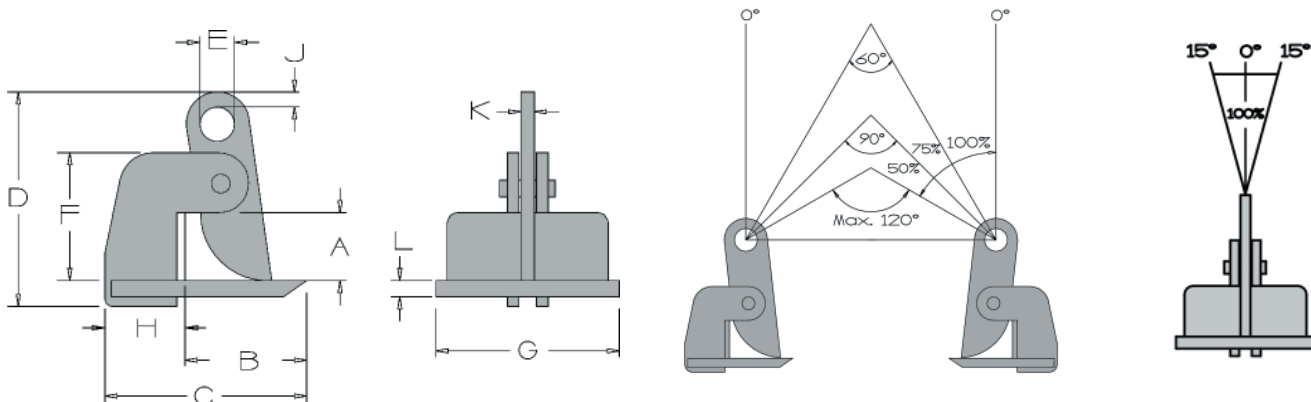
Non Marring available for material with a surfaced hardness in excess of 450 Brinell

Extra Wide Jaw Openings available with Model HLW

- Special jaw openings available upon request.

Rated capacities are per pair

	1/2 Ton /Pair	1 Ton/Pair	1 1/2 Tons/Pair	3 Tons/Pair	6 Tons/Pair	8 Tons/Pair
PRT #	HL-0.5-A	HL-1.0-A	HL-1.5-A	HL-3.0-A	HL-6.0-A	HL-8.0-A
A	0 - 1"	0 - 2"	0 - 2"	0 - 2"	0 - 2"	0 - 3"
B	4"	5"	5"	5"	5"	6 1/2"
C	5 7/8"	8"	8"	8"	8"	9 3/4"
D MAX	6 1/4"	10 1/4"	10 1/4"	10 3/8"	10 1/2"	14 1/8"
E	1 1/2"	1 1/2"	1 1/2"	1 1/2"	1 1/2"	2 3/8"
F	2 5/8"	4 1/2"	4 1/2"	4 1/2"	4 1/2"	6 1/8"
G	4 1/2"	6"	6"	6 1/2"	6 3/4"	8"
H	1 7/8"	3 1/8"	3 1/8"	3 1/8"	3 1/8"	3 1/4"
J	1/2"	9/16"	9/16"	9/16"	9/16"	1 1/8"
K	1/2"	1/2"	5/8"	3/4"	3/4"	1"
L	3/8"	1/2"	1/2"	5/8"	3/4"	1 5/8"
WT	11 lbs./Pair	31 lbs./Pair	36 lbs./Pair	45 lbs./Pair	52 lbs./Pair	108 lbs./Pair



MODEL HLW

Plate Clamps - Horizontal Lift Only

3 Ton/pair through 8 Ton/pair Rated Lift Capacities

Features:

Horizontal Lifting Clamps for plate steel

- Used in pairs or any multiple arrangement to lift and transfer a single plate or stacked plates in a horizontal position only.

Non-locking

Rated to lift material with a surface hardness up to 450 Brinell

Non Marring available for material with a surfaced hardness in excess of 450 Brinell

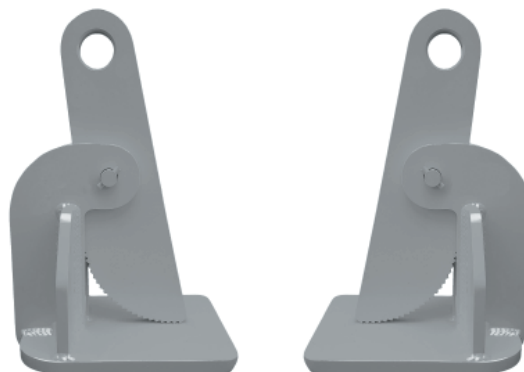
Special Jaw Openings Available

Rated capacities are per pair

	3 Tons/Pair	6 Tons /Pair	8 Tons /Pair
PRT #	HLW-3.0-A	HLW-6.0-A	HLW-8.0-A
A	0 - 6"	0 - 6"	0 - 6"
B	6 7/8"	6 7/8"	7 3/4"
C	10 5/16"	10 5/16"	12"
D MAX	15 7/8"	16"	17 3/8"
E	1 1/2"	1 1/2"	2 1/4"
F	9 1/4"	9 1/4"	10 1/8"
G	8"	8"	8"
H	3 1/2"	3 1/2"	4 1/4"
J	7/8"	7/8"	1 1/4"
K	3/4"	3/4"	1"
L	5/8"	3/4"	1"
WT	90 lbs./Pair	110 lbs./Pair	162 lbs./Pair

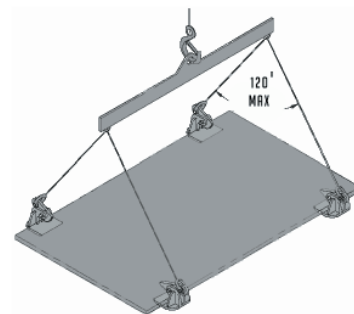
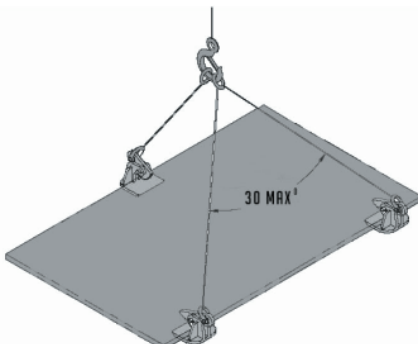
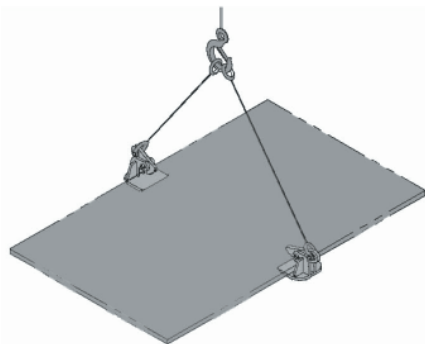


Model HL



Model HLW

Refer to diagrams on page 18.



MODEL HLD

Plate Clamps - Horizontal Lift Only

3 Ton/pair through 16 Ton/pair Rated Lift Capacities

Features:

Dual Cam Horizontal Lifting Clamps for plate steel

- Used in pairs or any multiple arrangement to lift and transfer a single plate or stacked plates in a horizontal position only.

Non-locking

Rated to lift material with a surface hardness up to 450 Brinell

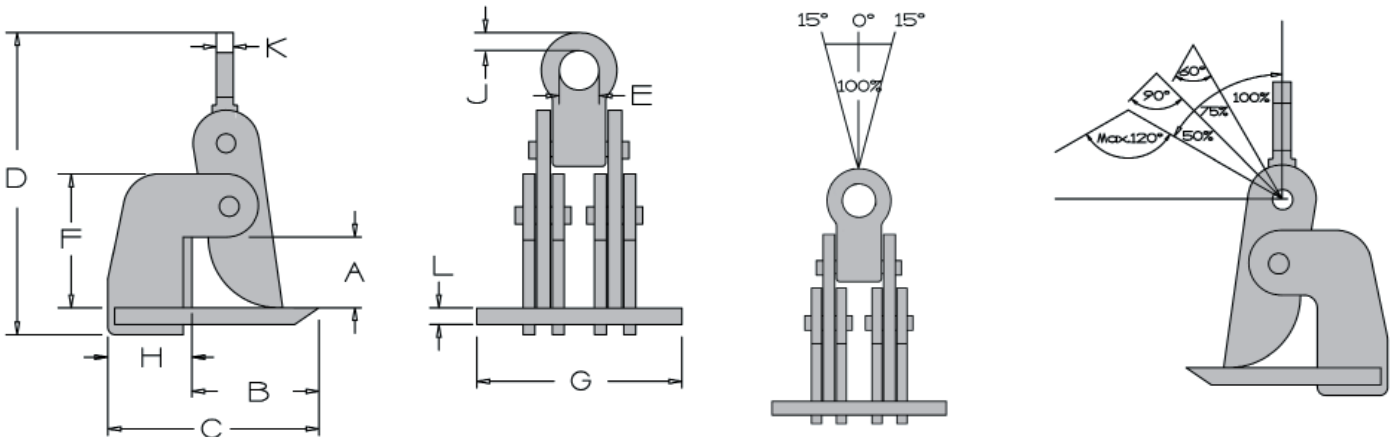
Non Marring available for material with a surfaced hardness in excess of 450 Brinell

Extra Wide Jaw Openings available with Model HLDW

- Special jaw openings available upon request.

Rated capacities are per pair

	3 Tons/Pair	6 Tons/Pair	12 Tons/Pair	16 Tons/Pair
PRT #	HLD-3.0-A	HLD-6.0-A	HLD-12.0-A	HLD-16.0-A
A	0 - 2"	0 - 2"	0 - 2"	0 - 3"
B	6 1/2"	6 1/2"	6 1/2"	8 1/4"
C	9 3/8"	9 3/8"	9 3/8"	11 1/2"
D MAX	15 7/8"	16"	16 1/8"	20 1/2"
E	2"	2"	2"	2 5/8"
F	4 1/2"	4 1/2"	4 1/2"	6 1/8"
G	8 3/8"	9"	9 5/8"	11 3/8"
H	3"	3"	3"	3 1/4"
J	1"	1"	1"	1 3/16"
K	5/8"	3/4"	3/4"	1"
L	1/2"	5/8"	3/4"	1"
WT	108 lbs./Pair	130 lbs./Pair	160 lbs./Pair	224lbs./Pair



SAFETY CLAMPS, INC.

TOLL FREE 1-800-456-2809 FAX 904-786-2116

MODEL HLDW

Plate Clamps - Horizontal Lift Only

6 Ton/pair, 12 Ton/pair, and 16 Ton/pair Rated Lift Capacities

Features:

Dual Cam Horizontal Lifting Clamps for plate steel

- Used in pairs or any multiple arrangement to lift and transfer a single plate or stacked plates in a horizontal position only.

Extra Wide Jaw Opening

- Special jaw openings available upon request.

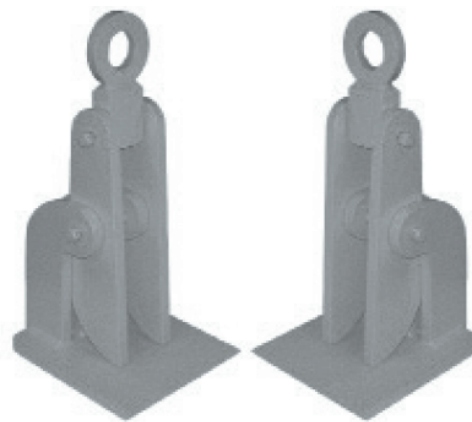
Non-locking

Rated to lift material with a surface hardness up to 450 Brinell

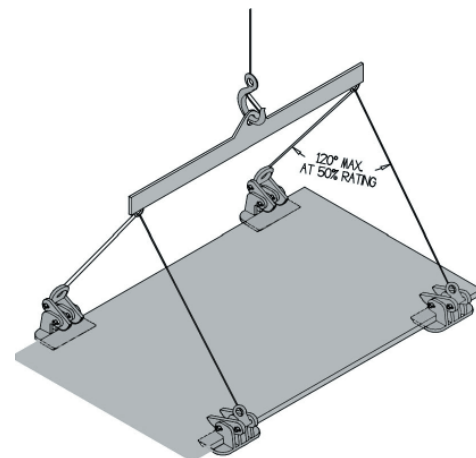
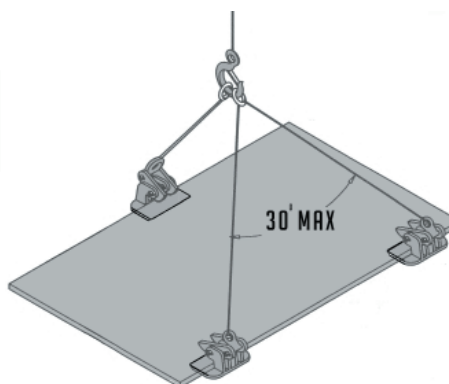
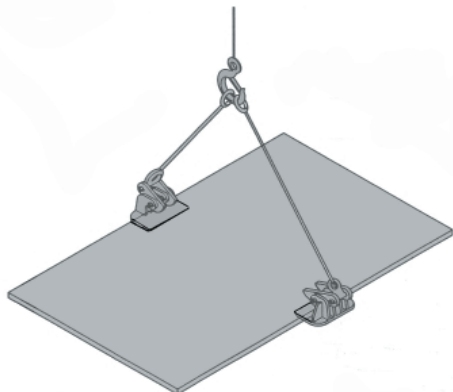
Non Marring available for material with a surfaced hardness in excess of 450 Brinell

Rated capacities are per pair

	6 Tons /Pair	12 Tons /Pair	16 Tons /Pair
PRT #	HLDW-6.0-A	HLDW-12.0-A	HLDW-16.0-A
A	0 - 6"	0 - 6"	0 - 6"
B	6 7/8"	6 7/8"	7 3/4"
C	10 3/8"	10 3/8"	12"
D MAX	21"	21 1/8"	23 7/8"
E	2"	2"	2 1/2"
F	9 1/4"	9 1/4"	10 1/8"
G	9"	9 5/8"	11 3/8"
H	3 1/2"	3 1/2"	4 1/4"
J	1"	1"	1 1/8"
K	3/4"	3/4"	1"
L	5/8"	3/4"	1"
WT	150 lbs./Pair	175 lbs./Pair	275 lbs./Pair



Refer to diagrams on page 20.



SAFETY CLAMPS, INC.

TOLL FREE 1-800-456-2809 FAX 904-786-2116

MODEL PH

Plate Hooks - Horizontal Lift Only

3 Ton/pair through 8 Ton/pair Rated Lift Capacities

Features:

Horizontal lifting Plate Hook

Designed for lifting plate and plate bundles.

Must be Used in a Double, Triple or Quad Leg Sling.

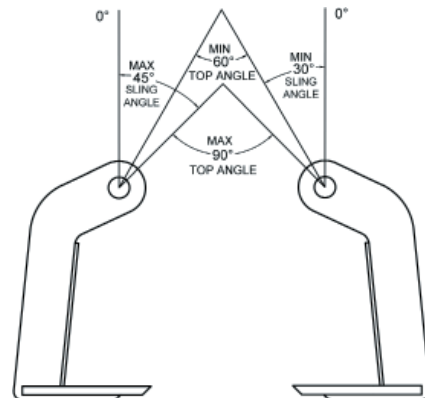
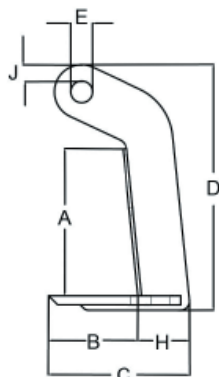
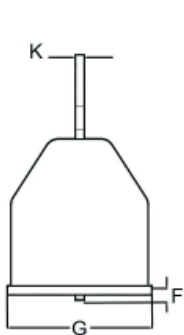
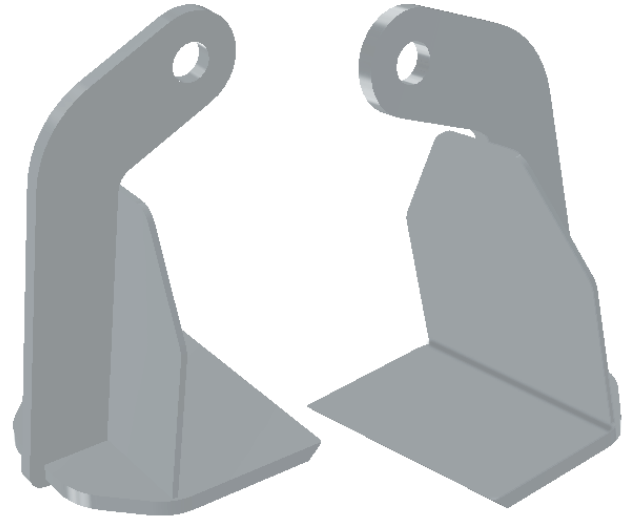
Rated capacities are per pair.

All plate hooks load tested to 300% WLL and sent with Proof of Load test certification.

Top Angle must be between 60 and 90 degrees.

Also Available with handle for ease of placement.

	3 Tons /Pair	6 Tons /Pair	8 Tons /Pair
PRT #	PH-3.0-A PH-3.0-B	PH-6.0-A PH-6.0-B	PH-8.0-A PH-8.0-B
A	0 - 6" 0 -10"	0 - 6" 0 -10"	0 - 6" 0 -10"
B	6 1/8"	6 1/8"	6 1/8"
C	9 3/4"	9 3/4"	9 3/4"
D	17 1/16"	17 1/16"	17 1/16"
E	1 1/2"	1 1/2"	1 1/2"
F	1"	1"	1"
G	10"	10"	10"
H	3 5/8"	3 5/8"	3 5/8"
J	1 1/8"	1 1/8"	1 1/8"
K	5/8"	5/8"	5/8"
WT	48 lbs/Pair 66 lbs/Pair	56 lbs/Pair 76 lbs/Pair	80 lbs/Pair 106 lbs/Pair



OPERATING AIDS FOR HORIZONTAL LIFTING CLAMPS

Read and Understand the Operator's Manual before use.

Always choose the proper model clamp and rated capacity for the lift.

Visual inspections should be performed before each lift.

Do not begin lift until all personnel are clear of the lift area.

The operator must be positioned safely away from the material being lifted.

Make sure the load to be lifted is properly balanced.

Do not use a clamp that has been overloaded, damaged, or altered in any way.

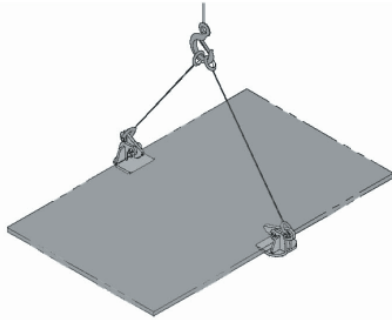
Ensure the grippers are properly engaging the material before making a lift.

Use in pairs or any multiple clamp arrangement.

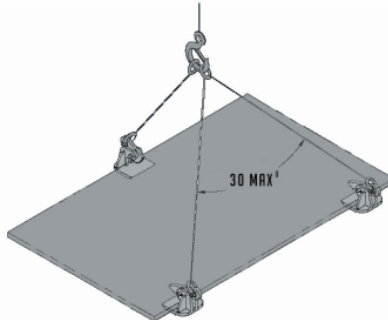
Do not lift with an open ended hook.

Never exceed 15° side load with a horizontal lifting clamp.

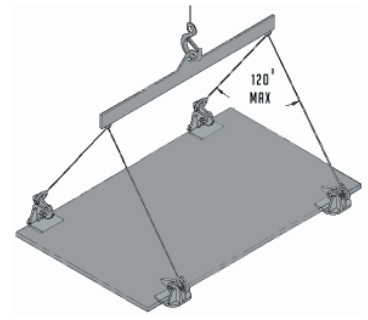
MODELS HL-LOCK, HL, HLW, HLD, & HLDW



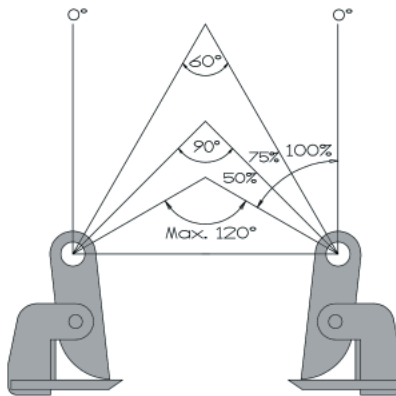
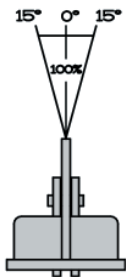
Single pair configuration



Three clamp (1 1/2 pairs) configuration

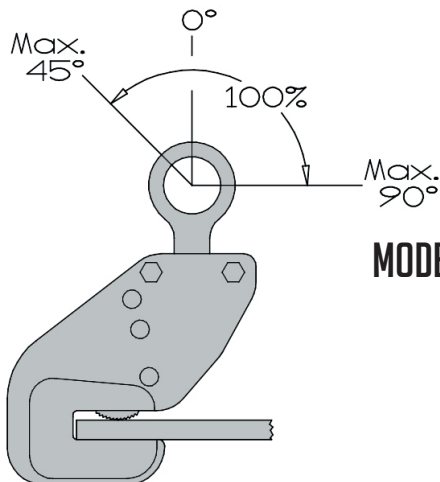


Multiple pairs configuration



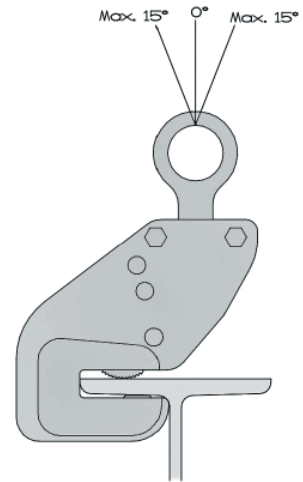
Top sling angle chart shows capacities of clamp are derated as the top sling angle increases

0° - 60° = 100% max. rated capacity
 60°+ - 90° = 75% max. rated capacity
 90°+ - 120° = 50% max. rated capacity



MODEL HBC

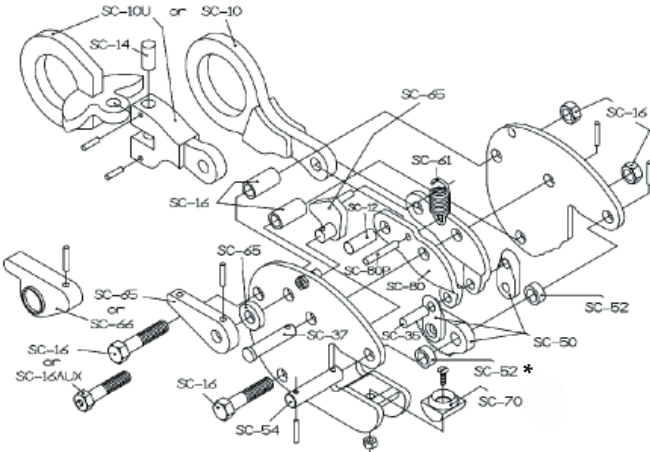
MODEL SBC



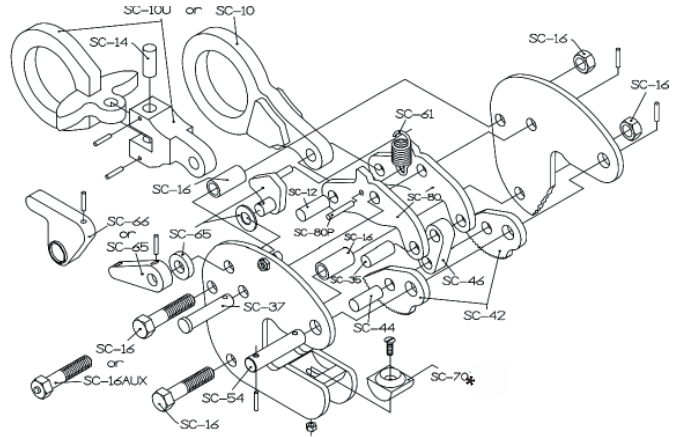
SAFETY CLAMPS, INC.

Models: All VL (& AVL), VLC (& AVLC), VL-SJ, VLX (& AVLX), VL-Channel

* Not available in Model VL-Channel



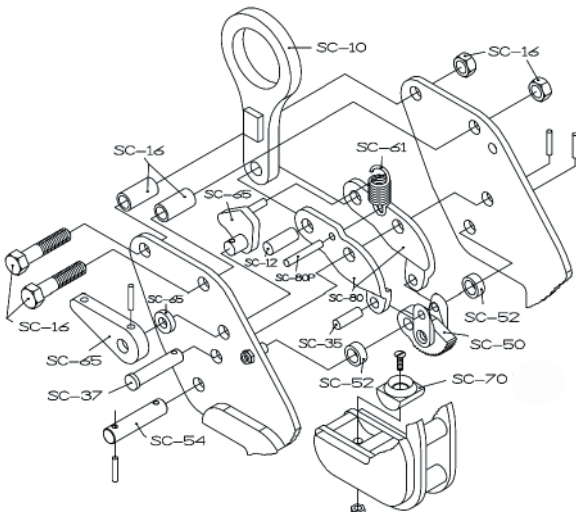
All 1/2 & 1 ton capacities and 2 ton VLSJ capacity



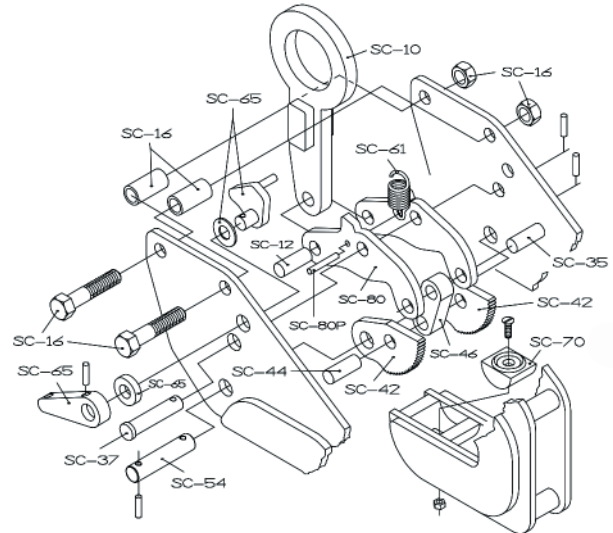
All capacities 2 ton and up (excluding 2 ton VLSJ)

Models: SBC, HBC, & HL-Lock

* Not available in Model HBC or Model HL-Lock



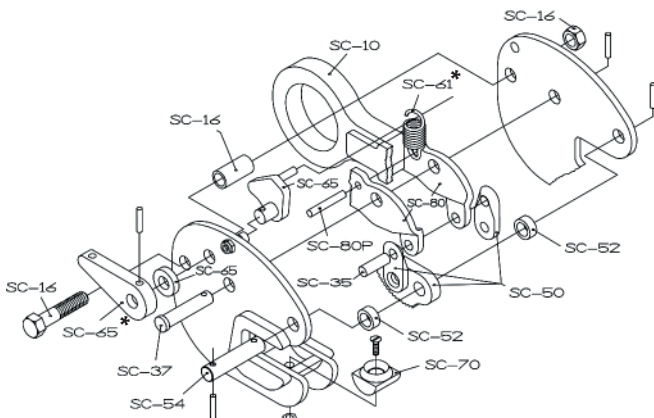
All 1 ton capacity and 2 ton/pair HL-Lock capacity



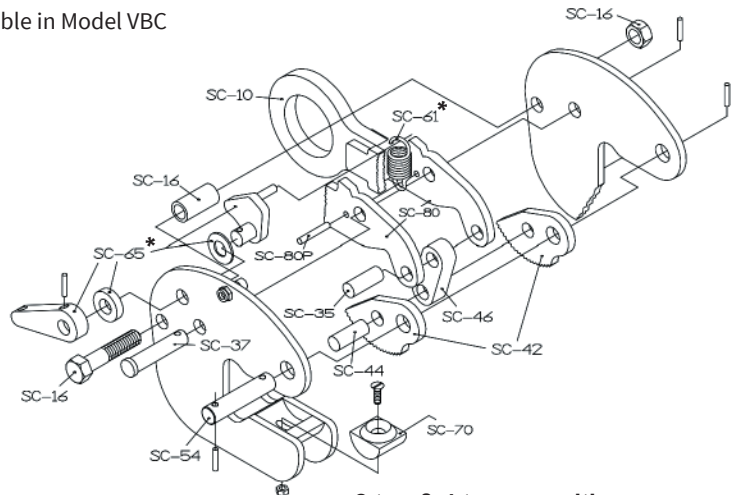
All capacities 2 ton and up (excluding 2 ton/pair HL-Lock)

Model VLBC, VBC

* Not available in Model VBC



1 ton capacity



2 ton & 4 ton capacities

SAFETY CLAMPS, INC. PARTS BREAKDOWN

Exploded View Part #	Parts List for All Models 1/2 through 20 Ton Capacities (excluding Models HL, HLW, HLD, and HLDW)
SC-10	Lifting Shackle
SC-10U	Universal Lifting Shackle
SC-12	Lifting Shackle Pin
SC-14	Universal Lifting Shackle Pin
SC-16	Body Bolt Assembly (1 spacer, bolt, and nut)
SC-16AUX	Body Bolt Assembly for Auxiliary Locking Clamp (1 spacer, bolt, and nut)
SC-35	Connecting Yoke-Link Pin
SC-37	Connecting Yoke Body Pin w/ Roll Pin
SC-42	Gripping Cams (pair) for all models 2 through 20 ton except Model VLSJ
SC-42ST	Stainless Gripping Cams (pair) for all models 2 through 20 ton except Model VLSJ
SC-44	Gripping Cam-Link Pin
SC-46	Gripping Cam Connecting Link
SC-50	Gripping Cam Assembly for all models 1/2 & 1 ton, 2 ton/pair Model HL-Lock, & 2 ton Model VLSJ
SC-50ST	Stainless Gripping Cam Assembly for all models 1/2 & 1 ton, 2 ton/pair Model HL-Lock, & 2 ton Model VLSJ
SC-52	Gripping Cam Spacers for all models 1/2 & 1 ton, 2 ton/pair Model HL-Lock, & 2 ton Model VLSJ
SC-54	Gripping Cam Body Pin with Roll Pins
SC-61	Lock Spring
SC-65	Lock Handle Assembly - Includes Lock, Handle, Spacer, and Roll Pins
SC-66	Auxiliary Lock Handle Assembly Includes Lock, Auxiliary Lock Handle, Spacer, and Roll Pins
SC-70	Self-aligning Gripping Pad with Bolt and Locknut
SC-70ST	Stainless Steel Self-aligning Gripping Pad with Bolt and Locknut
SC-80	Connecting Yokes (pair) and Spring Connector Pin

GENERAL INFORMATION

All products manufactured by Safety Clamps, Inc. meet the ANSI/ASME B30.20 standards.

IMPORTANT: Information contained herein is for the presentation of pertinent illustrative and specification data for use in the selection of suitable Safety Clamps, Inc. products consistent with the use intended by Safety Clamps, Inc. Refer to Operator's Manuals for information on application, operation and maintenance of each particular model or product.

Photographs of products shown in this price list which may include examples of applications are for illustrative purposes only. Please refer to the Operator's manuals for approved applications of Safety Clamps, Inc. products.

OPERATOR'S MANUALS: PRIOR TO USE OF ANY SAFETY CLAMPS, INC. PRODUCT, EACH PURCHASER AND OPERATOR SHOULD READ AND UNDERSTAND FULLY ALL OF THE PERTINENT INSTRUCTIONS AND RECOMMENDATIONS CONTAINED IN THE OPERATOR'S MANUALS FOR THE PARTICULAR PRODUCT INVOLVED.

The Operator's Manuals contain recommended application, operation and maintenance instructions for all Safety Clamps products listed in this catalog. A copy of the Operator's Manuals pertaining to each such product is attached to the product or enclosed within the shipping carton with each product.

In addition, Operator's Manuals may be obtained from Safety Clamps Distributors or by contacting Safety Clamps, Inc. at 1-800-456-2809 or info@safetyclamps.com.

INSPECTION AND REPAIR: Safety Clamps' products may be returned to the factory for inspection and repair in accordance with an established fee schedule. Neither operators nor maintenance personnel of the user of such products should engage in any modification of any Safety Clamps' product for any reason. Installation of parts and repair kits should be effected only in accordance with instructions included within the operators manual.

DELAYS: Safety Clamps, Inc. is not liable for any delays in manufacturing or shipping caused by fire, strikes, lockouts, war, insurrections, inability to secure materials, government interference or regulations, delays in transportation, or other circumstances beyond reasonable control.

RETURN OF GOODS: No goods may be returned without written consent. Special clamps are not returnable.

EXCLUSION OF WARRANTY

THERE EXISTS NO WARRANTIES NEITHER EXPRESSED NOR IMPLIED WHICH EXTEND BEYOND THE DESCRIPTIONS OR STATEMENTS CONTAINED IN THE FACE OR ANY PART HEREOF.

This catalog supersedes all catalogs previously published by Safety Clamps, and, further supersedes any materials previously published or described by Safety Clamps or its distributors as to the contents hereof.

Delivery

The following conditions apply only to delivery within the continental United States: Safety Clamps, Inc. will pay freight charges on single purchase order amounts of \$2900.00 net or more on all 1/2 - 10 ton Models, when shipped to one destination. Otherwise, all shipments are made F. O. B. Jacksonville, Florida.

Responsibility terminates with delivery of goods to the transportation company, and the shipper cannot be held responsible for any damage or delays incurred in transit.

Ownership Passes To Buyer Upon Delivery To Carrier.



SAFETY CLAMPS, INC.

HOME OF THE "BIG BITE LIFTING CLAMPS"



All products manufactured by Safety Clamps, Inc. carry a 10 year limited warranty against manufacturer's defects. Visit www.safetyclamps.com for specific details.

Call, Fax, or e-mail Us Today!

Safety Clamps, Inc.
233 Santa Barbara Ave.
www.safetyclamps.com
E-mail: info@safetyclamps.com

Phone: 904.781.2809
800.456.2809
Fax: 904.786.2116