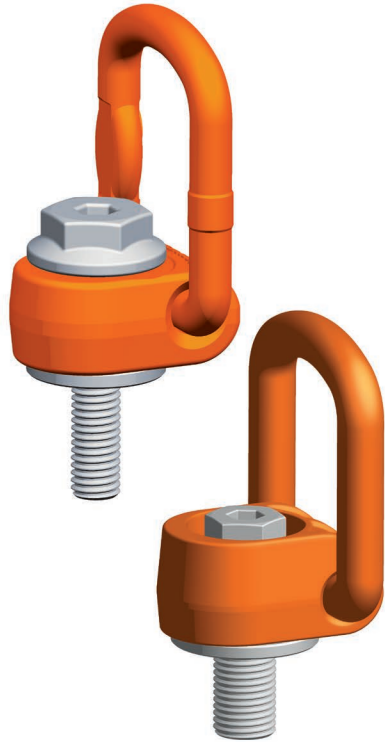
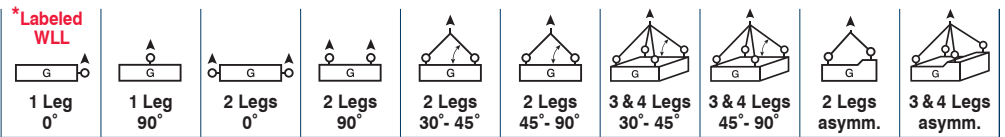


# PLAW Alpha



## PLAW Offset Lifting Point

- Patented spring positions load ring at any required angle
- 360° rotatable / 130° offset
- No side load reduction required - same pull strength in any direction
- Wide lifting ring accommodates larger hooks and components
- Interchangeable grade 10.9 bolt is corrosion protected and 100% crack-tested
- Typically used on multi-leg assembly
- Traceable with serial number
- Available in UNC up to 1-3/4" and Metric up to M48



Code	Thread (mm)	Fastening torque		Working Load Limit (kg)									
		(Nm)	(ft-lbs)	1 Leg 0°	1 Leg 90°	2 Legs 0°	2 Legs 90°	2 Legs 30°-45°	2 Legs 45°-90°	3 & 4 Legs 30°-45°	3 & 4 Legs 45°-90°	2 Legs asymm.	3 & 4 Legs asymm.
PLAW 0.3 t	M8	35	26	300	300	600	600	300	400	400	600	300	300
PLAW 0.63 t	M10	70	52	630	630	1,260	1,260	630	850	900	1,300	630	630
PLAW 1 t	M12	120	89	1,000	1,000	2,000	2,000	1,000	1,400	1,500	2,100	1,000	1,000
PLAW 1.5 t	M16	150	110	1,500	1,500	3,000	3,000	1,500	2,100	2,200	3,100	1,500	1,500
PLAW 2.5 t <sup>1)</sup>	M20	170	125	2,500	2,500	5,000	5,000	2,500	3,500	3,700	5,300	2,500	2,500
PLAW 4 t	M24	400	295	4,000	4,000	8,000	8,000	4,000	5,600	6,000	8,400	4,000	4,000
PLAW 6 t <sup>1)</sup>	M30	500	369	6,000	6,000	12,000	12,000	6,000	8,500	9,000	12,700	6,000	6,000
PLAW 7 t <sup>1)</sup>	M36	700	517	7,000	7,000	14,000	14,000	7,000	9,800	10,500	14,800	7,000	7,000
PLAW 8 t <sup>1)</sup>	M36	800	590	8,000	8,000	16,000	16,000	8,000	11,300	12,000	16,900	8,000	8,000
PLAW 10 t <sup>1)</sup>	M42	1,500	1106	10,000	10,000	20,000	20,000	10,000	14,000	15,000	21,000	10,000	10,000
PLAW 15 t <sup>1)</sup>	M42	1,500	1106	15,000	15,000	30,000	30,000	15,000	21,000	22,500	31,500	15,000	15,000
PLAW 20 t <sup>1)</sup>	M48	2,000	1475	20,000	20,000	40,000	40,000	20,000	28,000	30,000	42,000	20,000	20,000

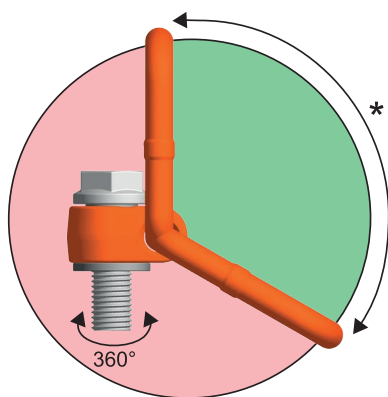
1 kg = 2.2 lbs

Code	Thread (inch)	Fastening torque		Working Load Limit (lbs)									
		(Nm)	(ft-lbs)	1 Leg 0°	1 Leg 90°	2 Legs 0°	2 Legs 90°	2 Legs 30°-45°	2 Legs 45°-90°	3 & 4 Legs 30°-45°	3 & 4 Legs 45°-90°	2 Legs asymm.	3 & 4 Legs asymm.
PLAW U5/16	5/16"-18	35	25.8	660	660	1,300	1,300	660	920	950	1,350	660	660
PLAW U3/8	3/8"-16	71	52	1,400	1,400	2,800	2,800	1,400	1,960	2,100	2,940	1,400	1,400
PLAW U1/2	1/2"-13	121	89	2,200	2,200	4,400	4,400	2,200	3,000	3,300	4,600	2,200	2,200
PLAW U5/8	5/8"-11	149	110	3,300	3,300	6,600	6,600	3,300	4,600	4,800	6,800	3,300	3,300
PLAW U3/4 <sup>1)</sup>	3/4"-10	169	125	4,400	4,400	8,800	8,800	4,400	6,000	6,500	9,200	4,400	4,400
PLAW U1 <sup>1)</sup>	1"-8	400	295	8,800	8,800	17,600	17,600	8,800	12,300	13,200	18,400	8,800	8,800
PLAW U1-1/4 <sup>1)</sup>	1 1/4"-7	500	369	13,200	13,200	26,400	26,400	13,200	18,700	19,800	27,800	13,200	13,200
PLAW U1-1/2 <sup>1)</sup>	1 1/2"-6	800	590	17,600	17,600	35,200	35,200	17,600	24,800	26,400	37,300	17,600	17,600
PLAW U1-3/4 <sup>1)</sup>	1 3/4"-5	1003	740	22,000	22,000	44,000	44,000	22,000	30,000	33,000	45,000	22,000	22,000

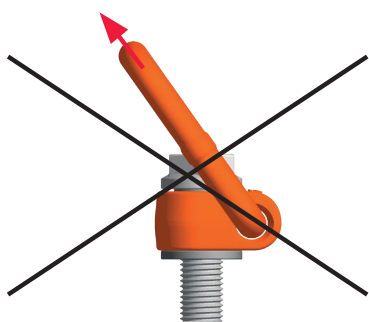
<sup>1)</sup> Bolt head is protected due to the design

\* WLL is horizontal in plane

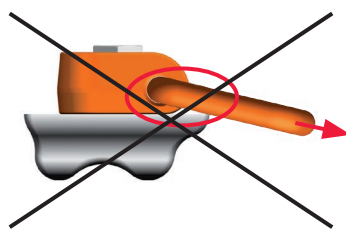
Design factor 4:1 - for reference purposes only / Important: Subject to technical changes!



Permissible range of application



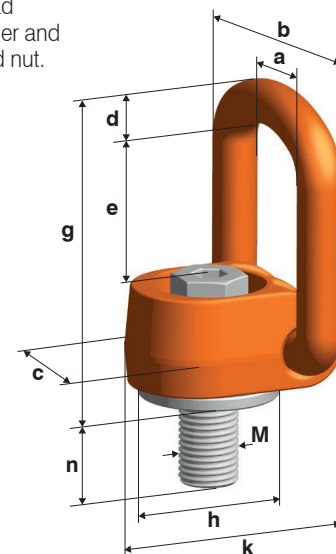
Not-permitted direction of pull



Not-permitted when resting against edge or loads

**Calculating the required thread length (L)**  
 $L = H + S + K + X$   
 H = Material height  
 S = Thickness of the washer  
 K = Height of the nut (depending on the thread size of the screw)  
 X = Excess length of the screw (twofold pitch of the screw)  
**L max = n max**

Customized and maximum thread lengths are supplied with a washer and crack-tested, corrosion protected nut.



Code	Thread (mm)	WLL (kg) Marked on lift. point	a (mm)	b (mm)	c (mm)	d (mm)	e (mm)	g (mm)	h (mm)	k (mm)	*n (mm)	**n max (mm)	⊙ (mm)	⊚ (mm)	Weight (kg/pc)
PLAW 0.3 t	M8	300	45	67	40	11	41	95	36	55	20	150	10	24	0.57
PLAW 0.63 t	M10	630	45	67	40	11	41	95	36	55	20	150	10	24	0.58
PLAW 1 t	M12	1,000	45	67	40	11	41	95	36	55	20	170	10	24	0.60
PLAW 1.5 t	M16	1,500	45	67	40	11	41	95	36	55	33	260	10	24	0.62
PLAW 2.5 t	M20	2,500	54	81	50	13	55	112	50	67	33	335	8	24	1.10
PLAW 4 t	M24	4,000	54	87	50	17	67	142	45	70	36	361	14	36	1.60
PLAW 6 t	M30	6,000	68	108	60	20	68	148	55	85	45	360	14	36	2.50
PLAW 7 t	M36	7,000	75	115	67	20	65	143	60	100	55	374	27	-	3.30
PLAW 8 t	M36	8,000	93	147	85	27	87	188	85	120	55	365	19	41	6.10
PLAW 10 t	M42	10,000	93	147	85	27	87	188	85	120	65	365	19	41	6.40
PLAW 15 t	M42	15,000	115	181	105	33	108	246	106	150	63	340	19	55	12.00
PLAW 20 t	M48	20,000	115	181	105	33	108	246	106	150	73	340	19	55	12.30

25.4 mm = 1 inch

Code	Thread (inch)	WLL (lbs) Marked on lift. point	a (inch)	b (inch)	c (inch)	d (inch)	e (inch)	g (inch)	h (inch)	k (inch)	*n (inch)	**n max (inch)	⊙ (inch)	⊚ (inch)	Weight (lbs/pc)
PLAW U5/16	5/16"-18	660	1.77	2.64	1.57	0.43	1.61	3.72	1.42	2.17	0.79	-	7/32"	-	1.30
PLAW U3/8	3/8"-16	1,400	1.77	2.64	1.57	0.43	1.61	3.72	1.42	2.17	0.79	-	3/8"	5/16"	1.30
PLAW U1/2	1/2"-13	2,200	1.77	2.64	1.57	0.43	1.61	3.72	1.42	2.17	1.30	-	3/8"	5/16"	1.32
PLAW U5/8	5/8"-11	3,300	1.77	2.64	1.57	0.43	1.71	3.56	1.42	2.17	1.30	-	3/8"	5/16"	1.39
PLAW U3/4	3/4"-10	4,400	2.13	3.19	1.97	0.51	2.24	4.21	1.97	2.64	1.30	-	9/16"	-	2.40
PLAW U1	1"-8	8,800	2.95	4.53	2.64	0.79	2.68	5.63	2.64	3.94	1.42	-	3/4"	-	6.60
PLAW U1-1/4	1-1/4"-7	13,200	2.95	4.53	2.64	0.79	2.68	5.63	2.64	3.94	1.93	-	7/8"	-	6.80
PLAW U1-1/2	1-1/2"-6	17,600	3.66	5.79	3.35	1.06	3.43	7.40	3.35	4.72	2.09	-	1"	-	13.40
PLAW U1-3/4	1-3/4"-5	22,000	3.66	5.79	3.35	1.06	3.43	7.40	3.35	4.72	2.44	-	1-1/4"	-	14.10

\* "n" is standard bolt length

\*\* "n max" is maximum bolt length - available special order only

Design factor 4:1 - for reference purposes only / Important: Subject to technical changes!