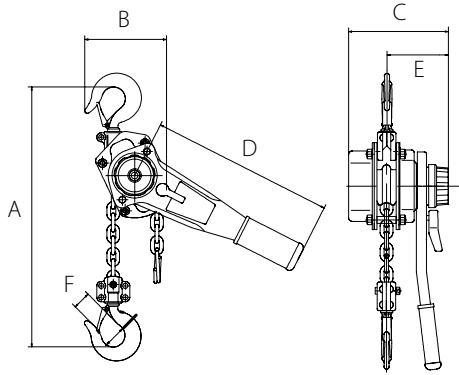
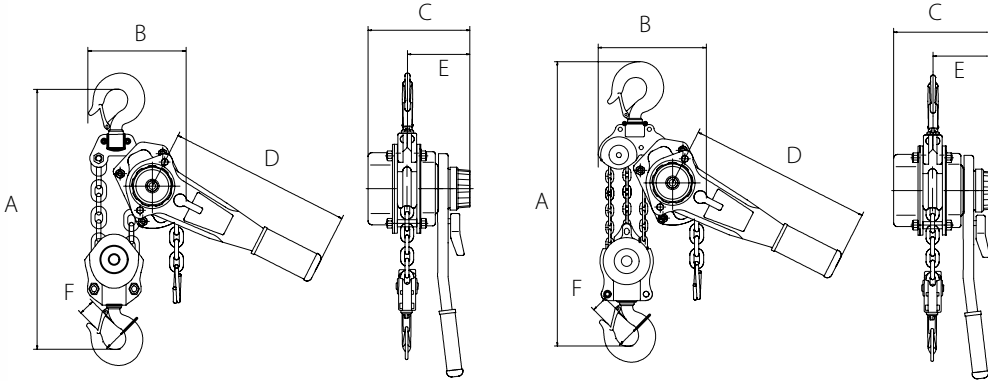


.75, 1.5, 3T



6T

9T



OZ600-15LHOP

		OZ075-XXLHOP	OZ150-XXLHOP	OZ300-XXLHOP	OZ600-XXLHOP	OZ900-XXLHOP
Capacity (tons)		0.75	1.5	3	6	9
Headroom (in)		12.79	14.96	18.90	24.41	27.56
Effort on lever to lift full load (lb.)		30.86	48.50	70.55	74.96	79.37
Falls of Chain		1	1	1	2	3
Diameter of Load Chain (mm)		6x18	8x24	10x30	10x30	10x30
Length of Lever Handle (in)		11.02	16.14	16.14	16.14	16.14
Dimensional Information (in)	A	12.79	14.96	18.89	24.40	27.55
	B	5.35	6.29	7.08	9.25	12.44
	C	5.82	6.77	7.87	7.87	7.87
	D	12.2	16.14	16.14	16.14	16.14
	E	3.54	3.85	4.52	4.52	4.52
Hook-opening, Upper & Lower (in)	F	1.18	1.26	1.50	1.89	2.13
Net Weight of Head Only (lb.)		13	22	33	51	81

Standard Lift Lengths: 5, 10, 15, and 20 ft. We also do custom rigging

Dimensions & illustrations are for reference only and subject to change without notice. XX in hoist model number indicates length of lift by foot.

