

PLGW Gamma



PLGW Supreme

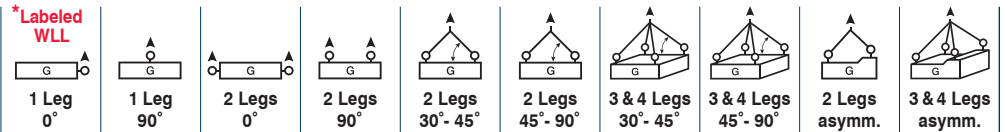
- Fully rotatable 360°
- No tools or torque value required
- Patented latch reduces both installation time and labor
- Lifting point is rotatable by 360° when unlocked
- Interchangeable grade 10.9 bolt is corrosion protected and 100% crack-tested
- An integrated sleeve protects the surface of the load
- Traceable with serial number
- Available in UNC thread up to 1-3/4" and Metric thread up to M48
- Replacement latches available



Unlocked
Lifting point is Rotatable - 360°



Locked
Lifting point is Not Rotatable

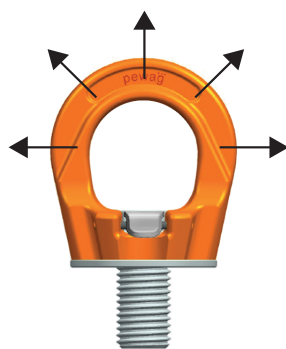


Code	Thread (mm)	Fastening torque	Working Load Limit (kg)									
			*Labeled WLL	1 Leg 0°	1 Leg 90°	2 Legs 0°	2 Legs 90°	2 Legs 30°-45°	2 Legs 45°-90°	3 & 4 Legs 30°-45°	3 & 4 Legs 45°-90°	2 Legs asymm.
PLGW 0.3t	M8	Simply tighten by hand	300	1,000	600	2,000	300	420	450	630	300	300
PLGW 0.5t	M10		500	1,500	1,000	3,000	500	700	750	1,060	500	500
PLGW 0.7t	M12		700	2,000	1,400	4,000	700	980	1,050	1,480	700	700
PLGW 1.5t	M16		1,500	4,000	3,000	8,000	1,500	2,100	2,200	3,180	1,500	1,500
PLGW 2.3t	M20		2,300	5,000	4,600	10,000	2,300	3,200	3,400	4,800	2,300	2,300
PLGW 2.3t-M22	M22		2,300	5,000	4,600	10,000	2,300	3,200	3,400	4,800	2,300	2,300
PLGW 3.2t	M24		3,200	6,500	6,400	13,000	3,200	4,500	4,800	6,700	3,200	3,200
PLGW 4.9t	M30		4,900	12,000	9,800	24,000	4,900	6,900	7,300	10,300	4,900	4,900
PLGW 7t	M36		7,000	15,000	14,000	30,000	7,000	9,800	10,500	14,800	7,000	7,000
PLGW 9t	M42		9,000	22,000	18,000	44,000	9,000	12,600	13,500	19,000	9,000	9,000
PLGW 12t	M48	12,000	30,000	24,000	60,000	12,000	16,900	18,000	25,400	12,000	12,000	

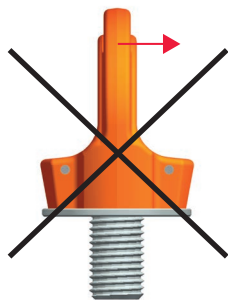
1 kg = 2.2 lbs

Code	Thread (inch)	Fastening torque	Working Load Limit (lbs)									
			*Labeled WLL	1 Leg 0°	1 Leg 90°	2 Legs 0°	2 Legs 90°	2 Legs 30°-45°	2 Legs 45°-90°	3 & 4 Legs 30°-45°	3 & 4 Legs 45°-90°	2 Legs asymm.
PLGW U 3/8	3/8"-16	Simply tighten by hand	1,100	2,400	2,200	4,800	1,100	1,500	1,500	2,200	1,100	1,100
PLGW U 1/2	1/2"-13		1,500	4,400	3,000	8,800	1,500	2,200	2,200	3,000	1,500	1,500
PLGW U 5/8	5/8"-11		3,300	8,800	6,600	17,600	3,300	4,600	4,800	6,600	3,300	3,300
PLGW U 3/4	3/4"-10		4,400	9,900	8,800	19,800	4,400	6,100	6,600	9,200	4,400	4,400
PLGW U 1	1"-8		6,600	11,000	13,200	22,000	6,600	9,200	9,900	13,600	6,600	6,600
PLGW U 1-1/4	1 1/4"-7		8,800	22,000	17,600	44,000	8,800	12,300	13,200	18,000	8,800	8,800
PLGW U 1-1/2	1 1/2"-6		15,400	33,000	30,800	66,000	15,400	21,500	23,100	32,300	15,400	15,400
PLGW U 1-3/4	1 3/4"-5		19,800	40,000	39,600	80,000	19,800	27,700	29,700	41,500	19,800	19,800

*WLL is horizontal in plane
Design factor 4:1 - for reference purposes only
Important: Subject to technical changes!



Permitted directions of pull



Not-permitted directions of pull

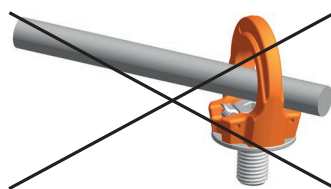
Calculating the required thread length (L)
 $L = H + S + K + X$
 H = Material height
 S = Thickness of the washer
 K = Height of the nut (depending on the thread size of the screw)
 X = Excess length of the screw (twofold pitch of the screw)
L max = n max

Customized and maximum thread lengths are supplied with a washer and crack-tested, corrosion protected nut.

PLGW "Basic" version (Special Order Only)



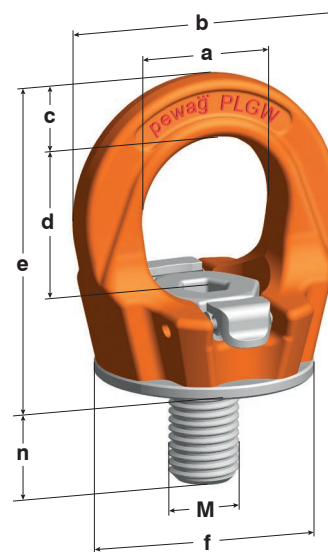
- Offering the same benefits as the pewag PLGW supreme in terms of measurement, load capacity and application, the pewag PLGW basic differs only when it comes to assembly.
- Lifting point can be mounted hand tight using a standard Allen key then aligned in the load direction
- A special Allen key for sizes M8-M20 is available upon request.



No additional tools permitted



Special Allen key



Code	Thread (mm)	WLL (kg) Marked on lift. point	a (mm)	b (mm)	c (mm)	d (mm)	e (mm)	f (mm)	*n (mm)	**n max (mm)	⌀ (mm)	Weight (kg/pc)
PLGW 0.3t	M8	300	25	45	10	27	53	35	15	90	6	0.20
PLGW 0.5t	M10	500	25	45	10	27	53	35	15	160	6	0.21
PLGW 0.7t	M12	700	30	55	12	32	63	43	20	160	8	0.32
PLGW 1.5t	M16	1,500	35	64	14	36	70	50	25	160	10	0.48
PLGW 2.3t	M20	2,300	40	73	16	41	81	54	30	160	12	0.58
PLGW M22-2.3t	M22	2,300	50	86	18	50	93	69	33	-	14	1.10
PLGW 3.2t	M24	3,200	50	86	18	50	93	69	35	-	14	1.10
PLGW 4.9t	M30	4,900	60	110	25	60	114	90	45	-	17	2.20
PLGW 7t	M36	7,000	70	132	31	70	136	108	55	-	19	3.80
PLGW 9t	M42	9,000	80	152	36	72	153	126	65	-	22	5.70
PLGW 12t	M48	12,000	95	179	42	88	179	148	75	-	24	8.90

25.4 mm = 1 inch

Code	Thread (inch)	WLL (lbs) Marked on lift. point	a (inch)	b (inch)	c (inch)	d (inch)	e (inch)	f (inch)	*n (inch)	**n max (inch)	⌀ (inch)	Weight (lbs/pc)
PLGW U 3/8	3/8" - 16	1,100	0.98	1.77	0.39	1.06	2.09	1.38	0.59	-	1/4"	0.44
PLGW U 1/2	1/2" - 13	1,500	1.18	2.17	0.47	1.26	2.48	1.69	0.79	-	5/16"	0.71
PLGW U 5/8	5/8" - 11	3,300	1.38	2.52	0.55	1.42	2.76	1.97	0.98	-	3/8"	0.99
PLGW U 3/4	3/4" - 10	4,400	1.57	2.87	0.63	1.61	3.19	2.13	1.18	-	1/2"	1.28
PLGW U 1	1" - 8	6,600	1.97	3.39	0.71	1.97	3.66	2.72	1.38	-	9/16"	2.43
PLGW U 1-1/4	1 1/4" - 7	8,800	2.36	4.33	0.98	2.36	4.49	3.54	1.77	-	5/8"	4.63
PLGW U 1-1/2	1 1/2" - 6	15,400	2.76	5.20	1.22	2.76	5.35	4.25	2.17	-	7/8"	8.38
PLGW U 1-3/4	1 3/4" - 5	19,800	3.15	5.98	1.42	2.83	6.02	4.96	2.56	-	1"	12.57

*"n" is standard bolt length

**"n max" is maximum bolt length - available special order only

Design factor 4:1 - for reference purposes only / Important: Subject to technical changes!